



BLOSSOM[®]

luxury made simple



20"
MCL4 2032 (L/R)



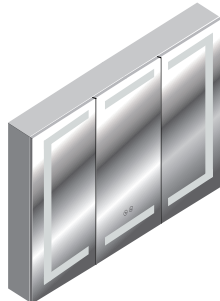
24"
MCL4 2432 (L/R)



30"
MCL4 3032



36"
MCL4 3632



48"
MCL4 4832

Combined with two 20"
(MCL4 2032L + MCL4 2032R)

40"

Combined with two 30"
(MCL4 3032 x 2)

60"

[MEDICINE CABINET]

Specification & Installation Guide

www.blossomus.com

IMPORTANT SAFETY INSTRUCTIONS

When using an electrical furnishing, basic precautions should always be followed, including the following:

⚠ WARNING: To reduce the risk of burns, fire, electric shock or injury to persons. Use this furnishing only for its intended use as described in these instructions. Do not use attachments not recommended by the manufacturer. Never drop or insert any object into any opening. Do not use outdoors.

⚠ WARNING: Risk of electric shock. Connect this furnishing to a properly grounded circuit only. See grounding instructions.

⚠ CAUTION: Maximum shelf load 34lbs/15.4kg

ELECTRIC CONNECTIONS

ALL WIRING SHOULD BE DONE BY A QUALIFIED LICENCED ELECTRICIAN.

⚠ WARNING: Shut off power before wiring the cabinet.

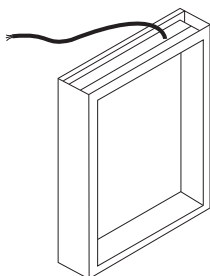
Requires 120 VAC 20 Amp GFI protected Circuit.

GROUNDING INSTRUCTIONS:

⚠ CAUTION: This product must be connected to a grounded metal permanent wiring system or an equipment-grounding conductor must be run with the circuit conductors and connected to the equipment grounding terminal or lead on the product.

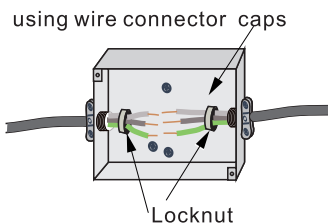
⚠ WARNING: An Electrical option cabinet must be wired to a 20 Amp GFI (Ground Fault Interrupter) protected circuit when used in bathrooms and all other locations required by the National Electric Code.

The electric wire comes through the access hole on the top of the cabinet, exact location of access hole varies depending on the product models. Please refer to the actual product for the exact location.

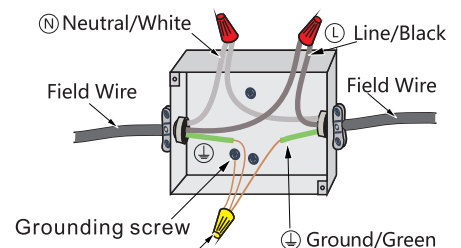


Make connection with Junction box

Neutral to white.
Line to black.
Ground to green.

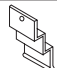
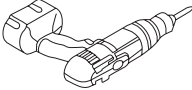
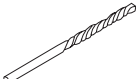
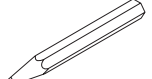
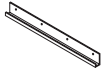


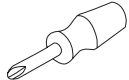


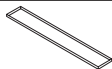
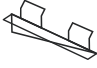


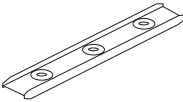


★ junction box is not included ★

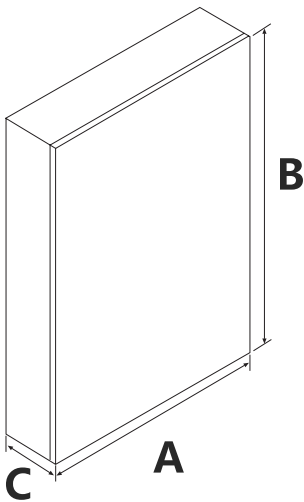


wire connector caps
★ (not included) ★

HARDWARE AND TOOLS

Hardware				Tools (not included)		
NO.		Draw	QTY(pcs)			
A	Top mounting bracket		3-5			
B	Bottom mounting bracket		1	Electric Drill	1/8" Drill Bit	Pencil or Marker
C	Hardware screw		5-12			
D	Glass side panel		2			
E	Glass Shelf		3	Screw Driver	Silicone	Tape Measure
F	Shelf support bracket		6			
H	Wall Plug		5-12			
				Toothless flat nose plier	Lever	

DIMENSIONS



A-Cabinet's Width
B-Cabinet's Height
C-Cabinet's Depth

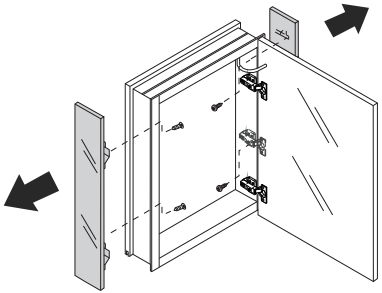
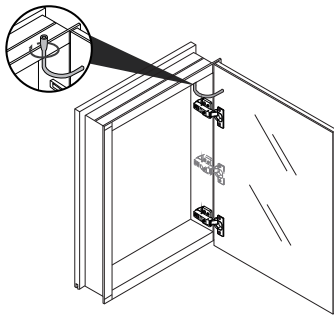
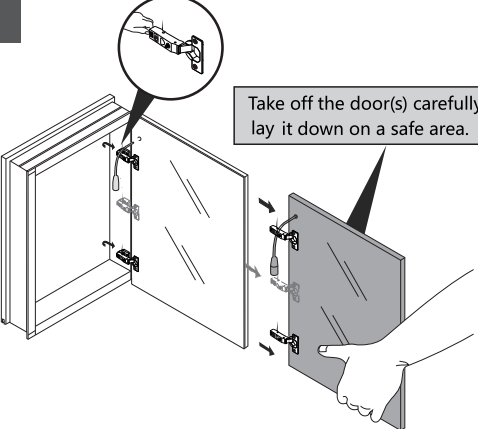
NOTE: Determine overall medicine cabinet dimensions. If for recess mounting medicine cabinet, determine rough-in (Wall Cut-out) dimensions.

NOTE: All rough-in dimensions for reference only!

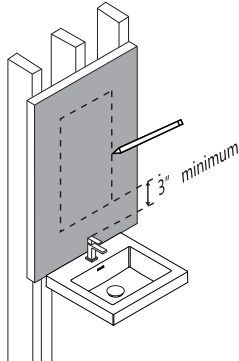
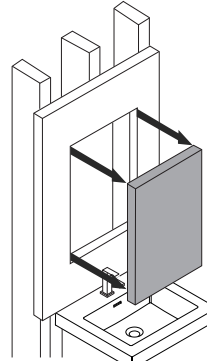
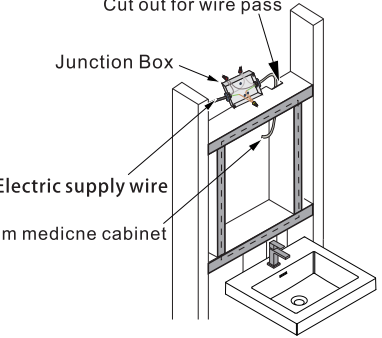
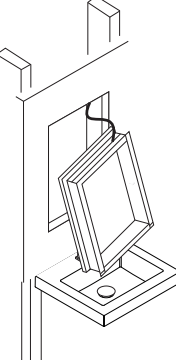
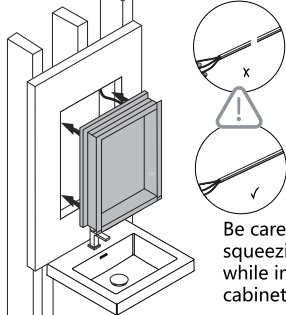
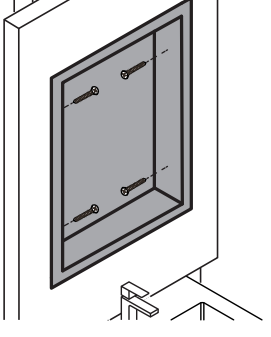
Model No		Item	A	B	C	Rough in size
Vega	MCL4 2032L	MCL4 2032R	20"	32"	5-1/4"	19-1/2" x 31-1/4" x 4"
	MCL4 2432L	MCL4 2432R	24"	32"	5-1/4"	23-1/2" x 31-1/4" x 4"
	MCL4 3032	/	30"	32"	5-1/4"	29-1/2" x 31-1/4" x 4"
	MCL4 3632	/	36"	32"	5-1/4"	35-1/2" x 31-1/4" x 4"
	MCL4 4832	/	48"	32"	5-1/4"	47-1/2" x 31-1/4" x 4"

PRIOR TO MOUNTING

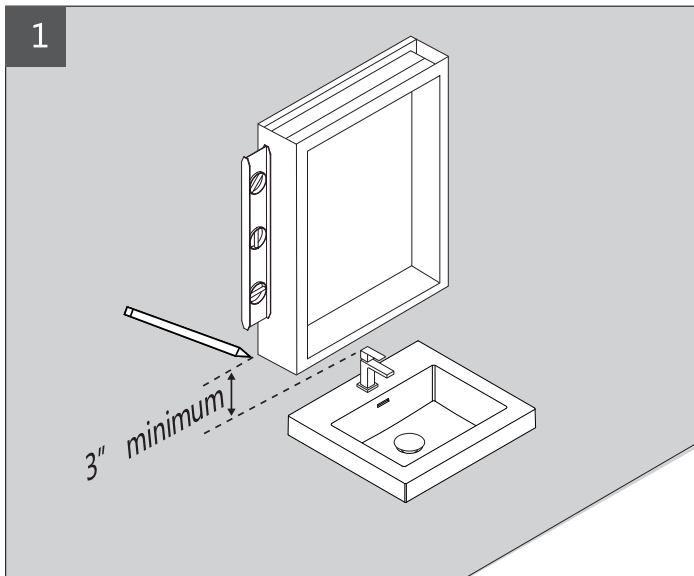
★ Remove the Door(s) prior to mounting your Cabinet(s) ★

<p>1</p>  <p>⚠ For recess mount only! Carefully remove side mirror panels for recess mount installation.</p>	<p>2</p>  <p>Remove door(s) prior to mounting your cabinet. Start with unplugging the door from the cabinet.</p>	<p>3</p>  <p>While supporting the door release (the lever under the hinge arm), slide the door off the frame.</p>
--	--	--

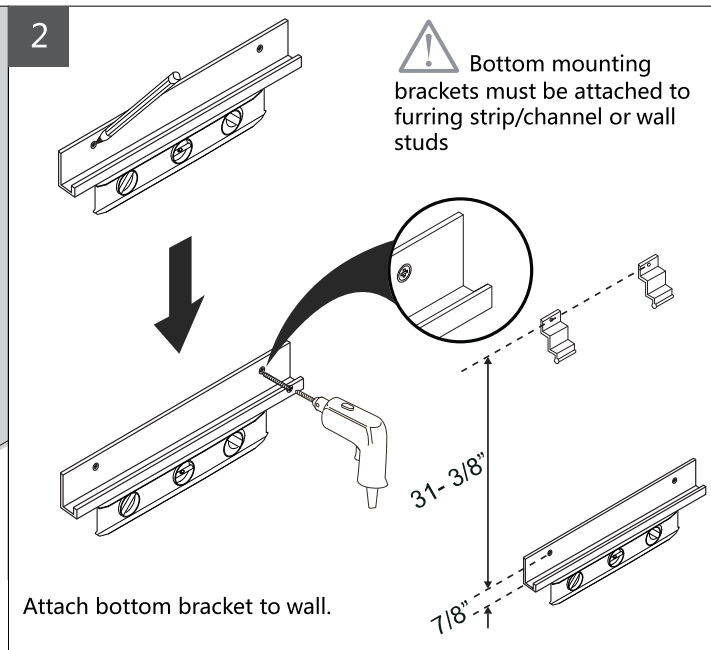
RECESS MOUNT INSTALLATION CONTINUED

<p>1</p>  <p>Draw the perimeter of the cabinet on the wall.</p>	<p>2</p>  <p>Cut the marked perimeter with suitable tool.</p>	<p>3</p>  <p>Frame the opening for the cabinet based on the measurements.</p>
<p>4</p>  <p>Connect electrical wires before inserting the cabinet into the opening.</p>	<p>5</p>  <p>Position cabinet in cut out opening.</p> <p>Be careful to avoid squeezing the wiring while insert the cabinet.</p>	<p>6</p>  <p>Affix using hardware screws into the studs.</p>

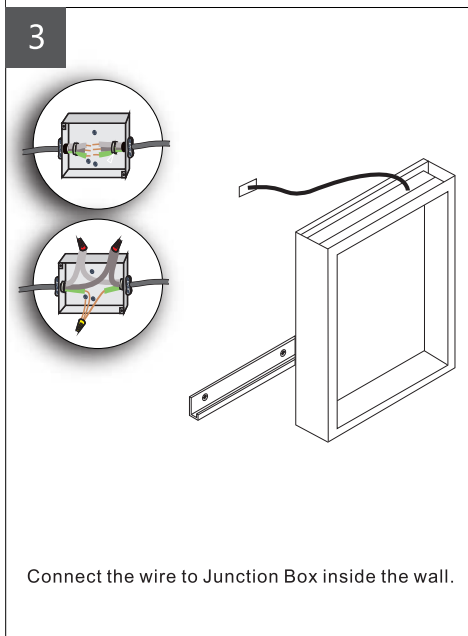
SURFACE MOUNT INSTALLATION



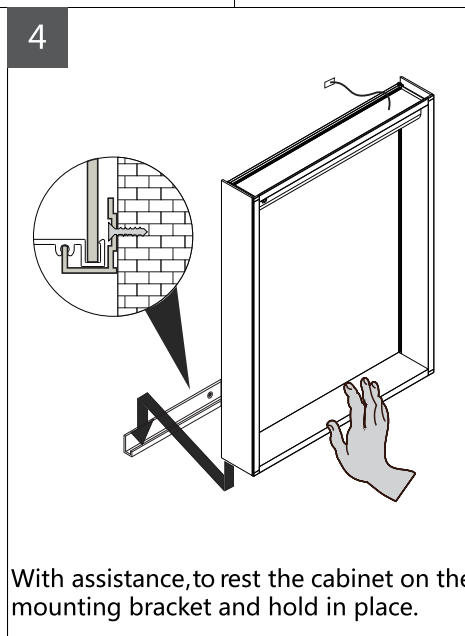
Level and mark the cabinet's location on the wall.



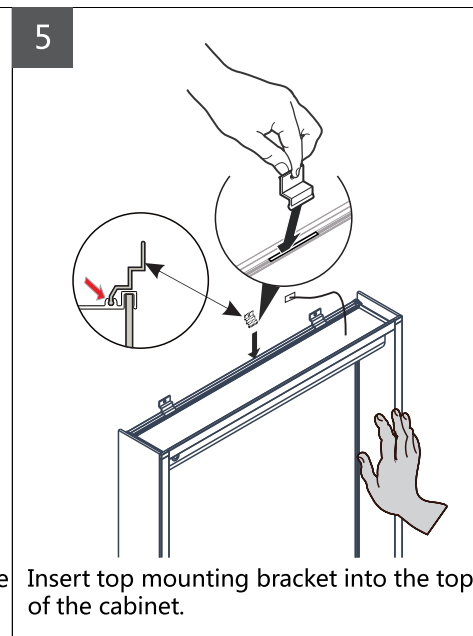
Attach bottom bracket to wall.



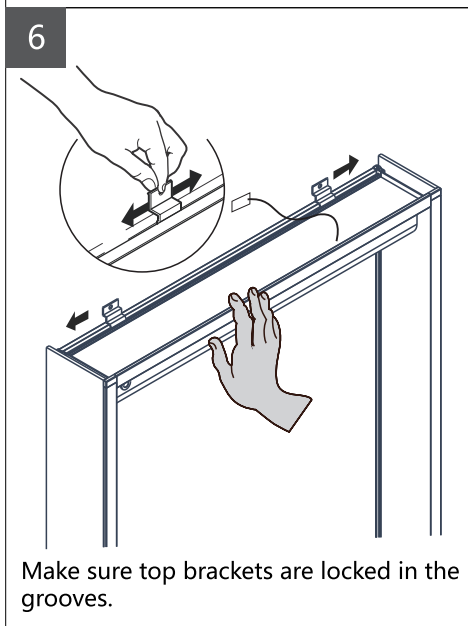
Connect the wire to Junction Box inside the wall.



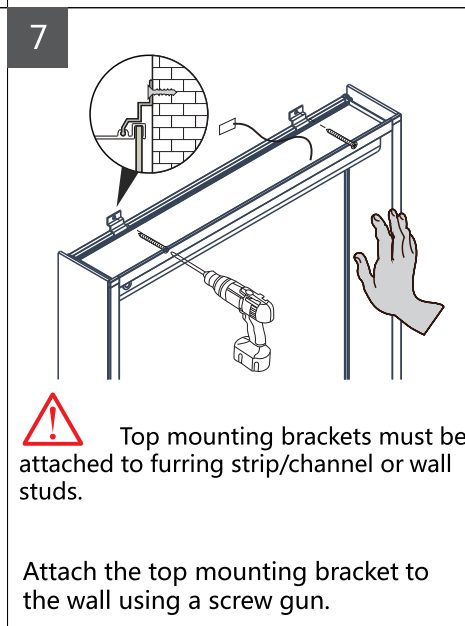
With assistance, to rest the cabinet on the mounting bracket and hold in place.



Insert top mounting bracket into the top of the cabinet.

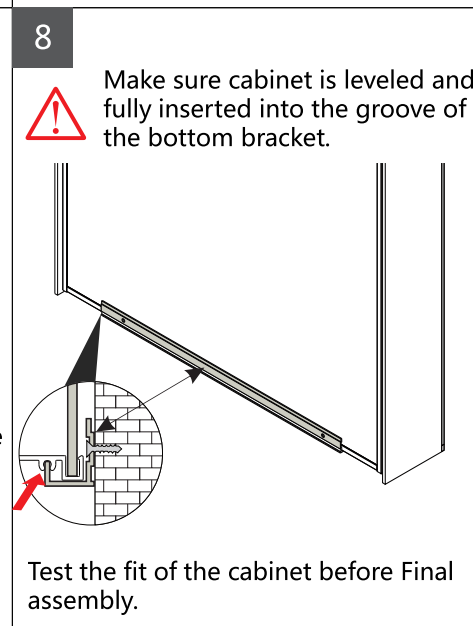


Make sure top brackets are locked in the grooves.



! Top mounting brackets must be attached to furring strip/channel or wall studs.

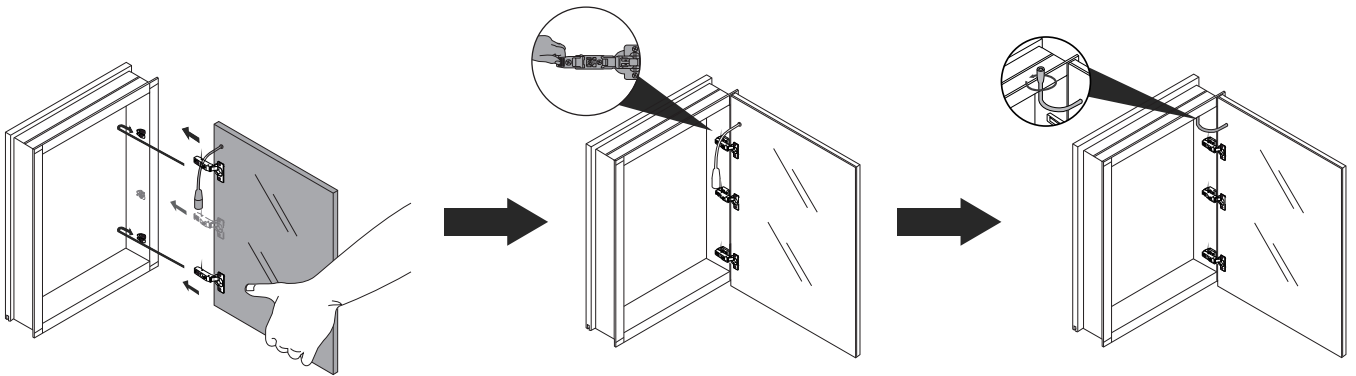
Attach the top mounting bracket to the wall using a screw gun.



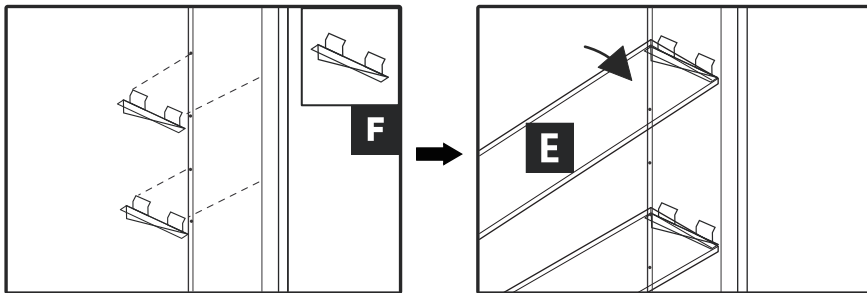
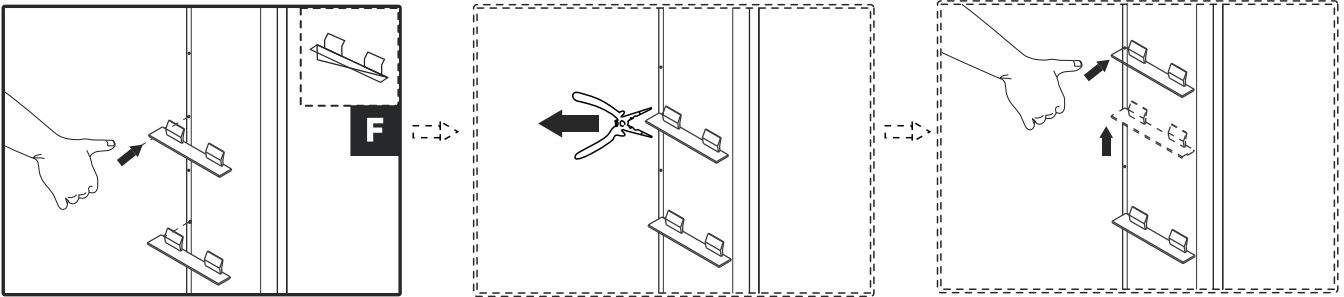
! Make sure cabinet is leveled and fully inserted into the groove of the bottom bracket.

Test the fit of the cabinet before Final assembly.

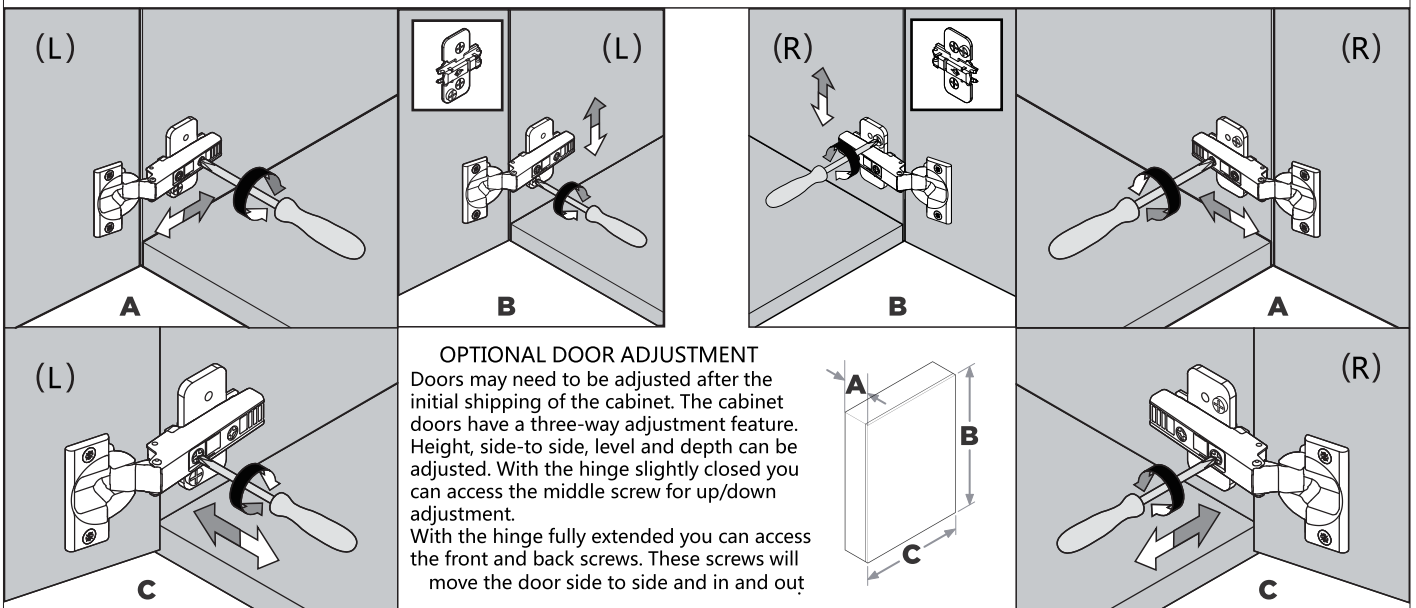
FINAL ASSEMBLY

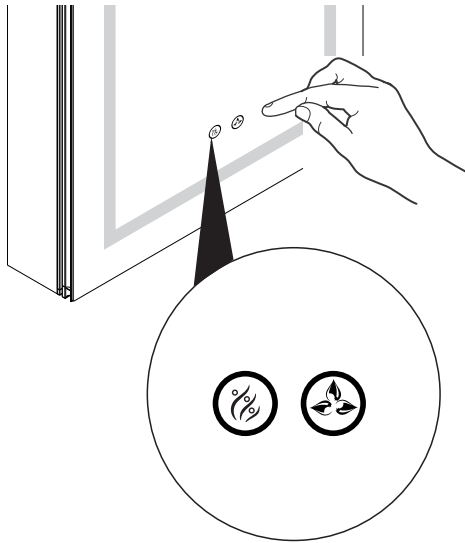


1. Slide the doors into place by pinching the end of the hinges.
2. Plug the door into the cabinet.



1. Insert clear snap in shelf clips (F) into holes on the sides of the cabinet.





How to use touch sensor switches:  

Antifogging function: touch key  to turn on/off defogging function.
hold the key  to turn off the lighting.

Use and Maintenance:

The interior is constructed of mirrored glass and aluminum. Use only a damp cloth to clean. Ammonia or vinegar-based cleansers can damage mirrors.

When cleaning, spray the cloth, not the mirror, or surrounding surfaces. Do not use abrasive cleansers on any parts of the light fixture.

Limited Warranty Two Years Term

BLOSSOM warrants to the original purchaser that, it will, at its election repair, replace, or make appropriate adjustment to products made by this company shown to have significant defects in material or workmanship which are reported to BLOSSOM in writing within two (2) years from the date of delivery. BLOSSOM is not responsible for installation costs. The warranty is void in the event the product is damaged in transit, or if damage or failure is caused by abuse, misuse, abnormal usage, faulty installation, damage in an accident, improper maintenance, or any repairs other than those authorized by BLOSSOM. At the expiration of the two years warranty period, BLOSSOM shall be under no further obligation under any warranty, expressed or implied, including the implied warranty of merchantability. BLOSSOM shall not be liable for any consequential damages arising out of or in connection with the use or performance of its products. Some states do not allow limitations on how long an implied warranty lasts or do not allow the exclusion or limitation of incidental or consequential damages, so the above limitation or exclusion may not apply to you. Any liability against BLOSSOM under any implied warranty, including the warranty of merchantability, is expressly limited to the terms of this warranty. Permission to return any merchandise under this warranty must be authorized by BLOSSOM and returned prepaid by the purchaser. Claims under this warranty should be sent directly to your dealer.

BLOSSOM KITCHEN & BATH CORP.

ALL RIGHTS RESERVED



Blossom Kitchen & Bath Supply Corporation
(718)-366-0088 | sales@BlossomUS.com | www.BlossomUS.com

For clarification, please contact us at (718)-366-0088 or sales@BlossomUS.com

All dimensions are approximate and subject to standard tolerance. Specifications subject to change without prior notice. Save these instructions for future use and reference. An improper installation voids the warranty. Installed cabinets cannot be returned.