

**REQUIRED TOOLS**



**PARTS INCLUDED**



**1**

Remove drawer from vanity and bridge vanity. Finish drilling the pre-drilled holes in vanity. Make sure to drill only the side that will be connected to the bridge vanity.

**2**

**3**

4E

**4**

Insert the drawers inside the vanities

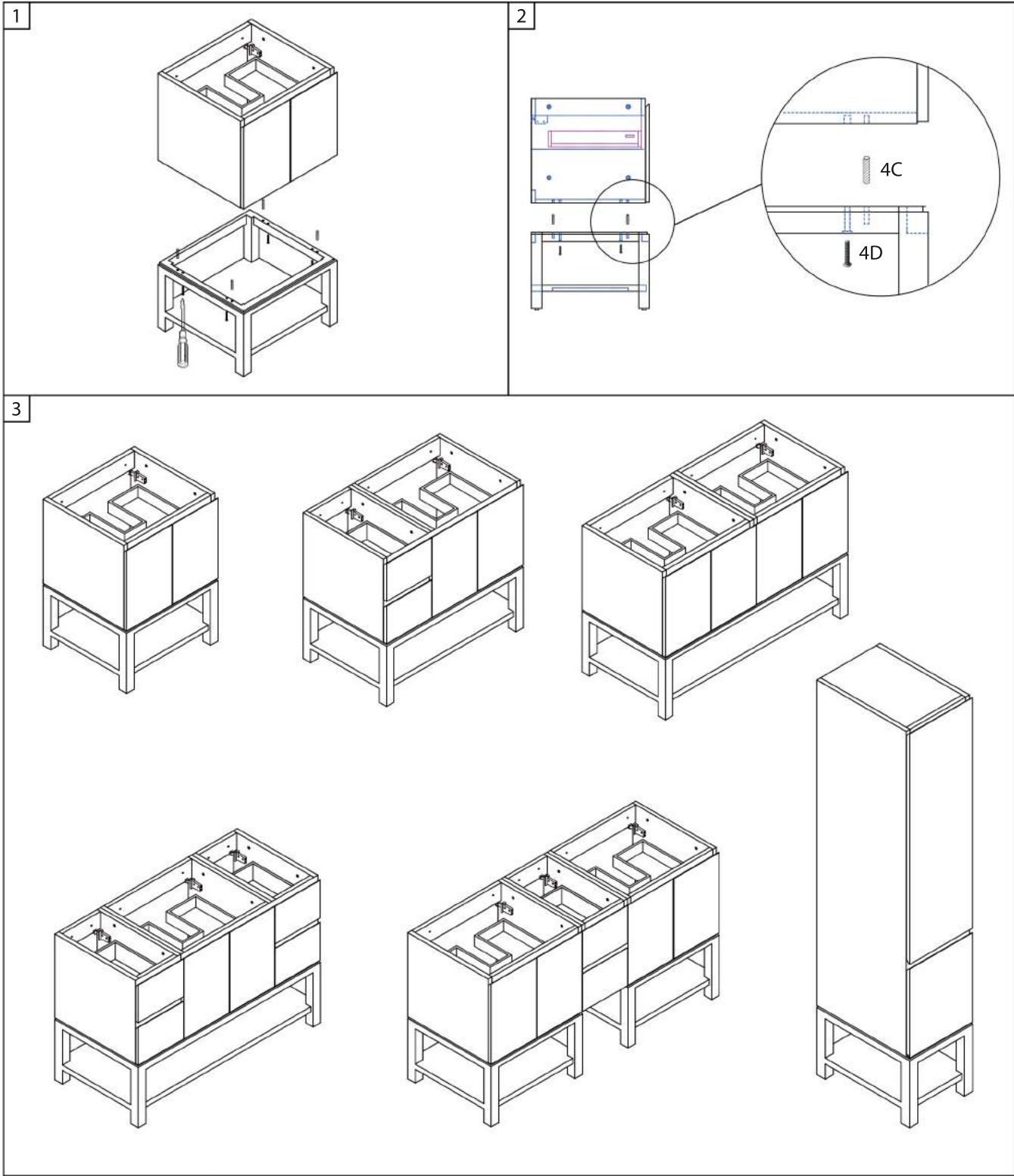
**5**

**REQUIRED TOOLS**

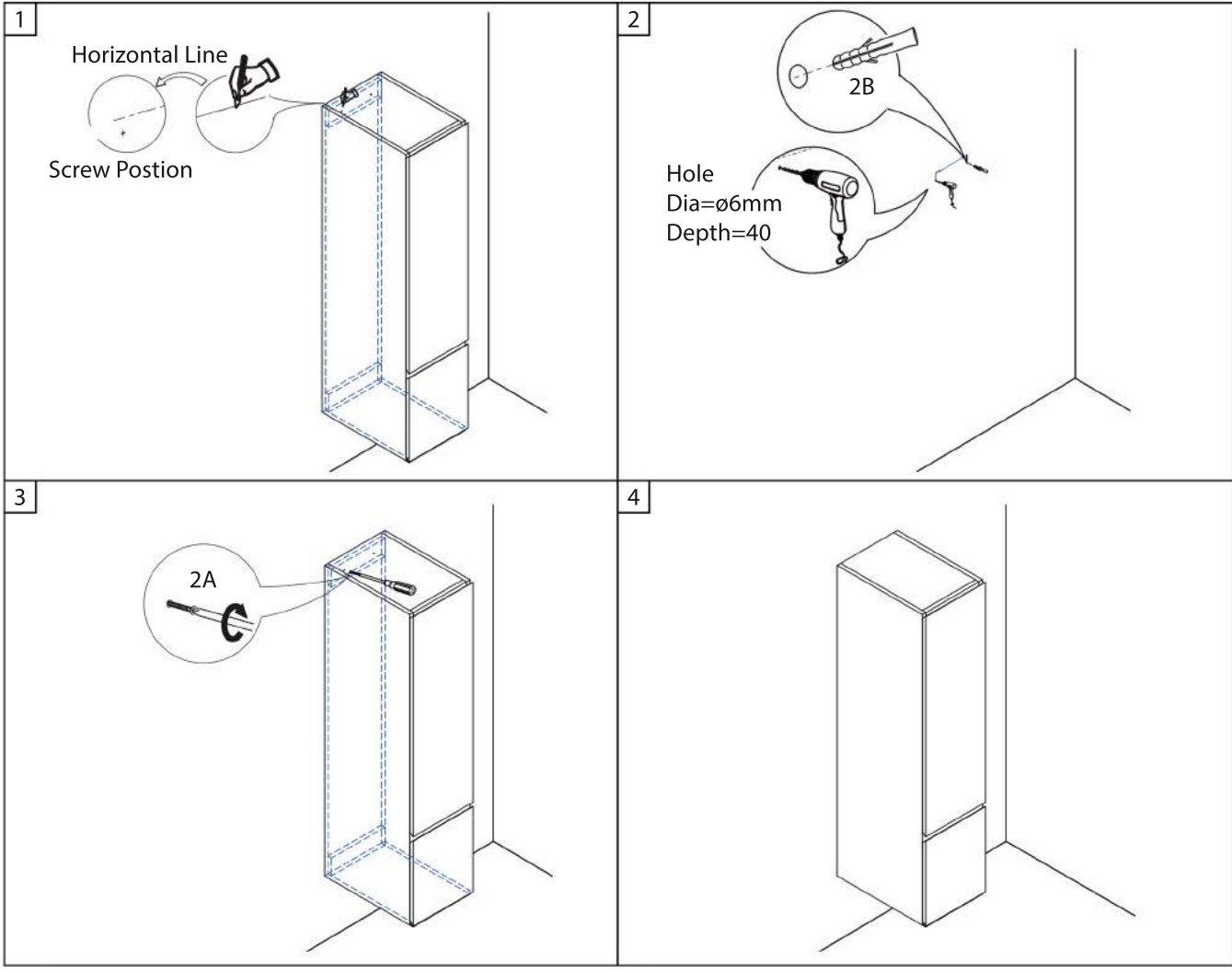


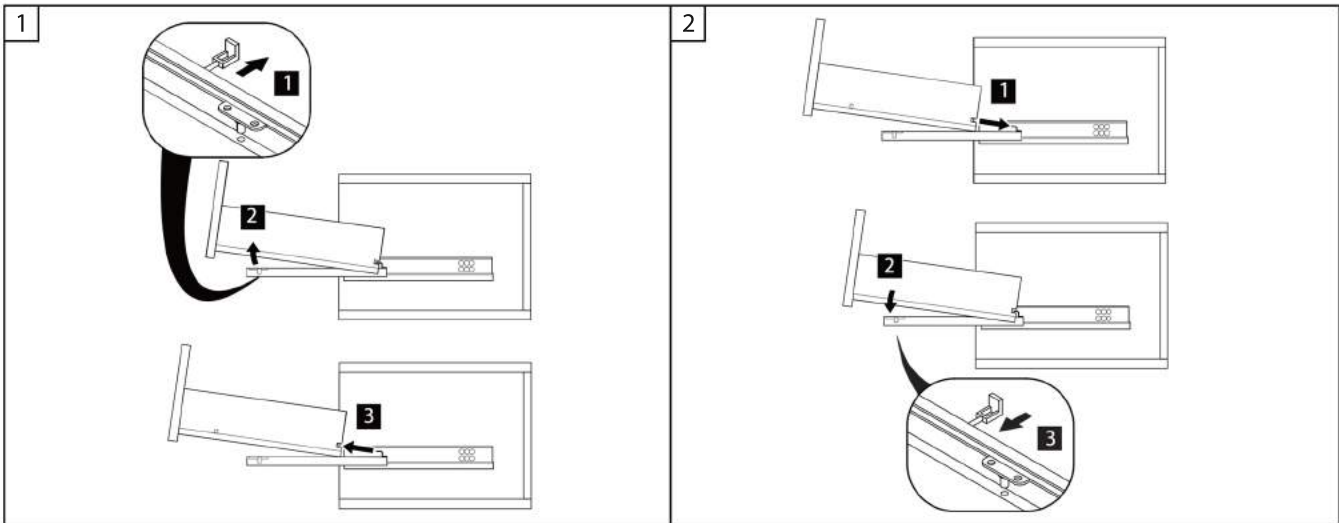
**PARTS INCLUDED**

4C      4D

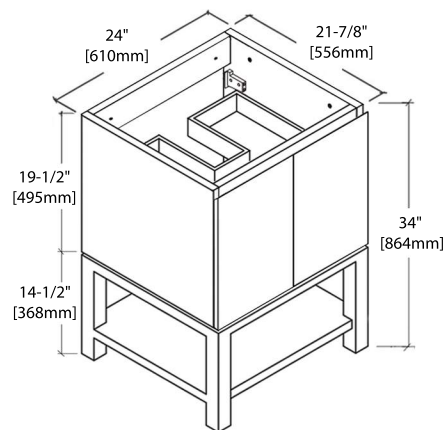


**REQUIRED TOOLS**

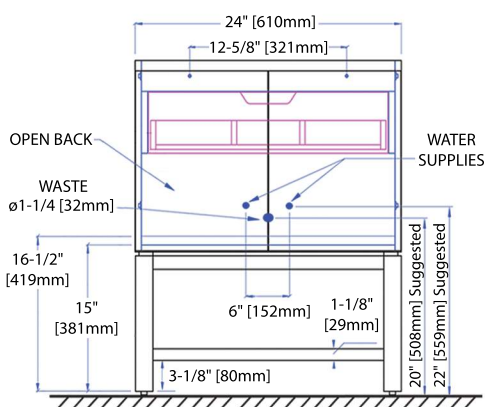




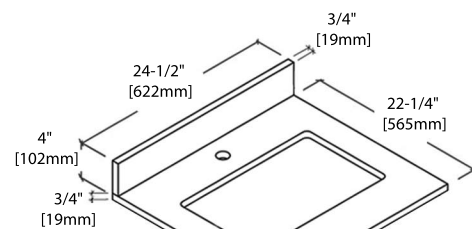
# 24" VANITY



V8000 24

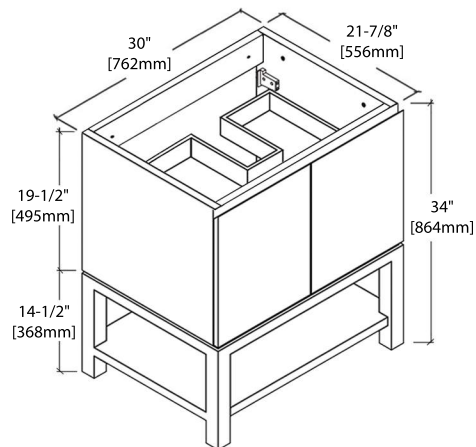


BACK VIEW

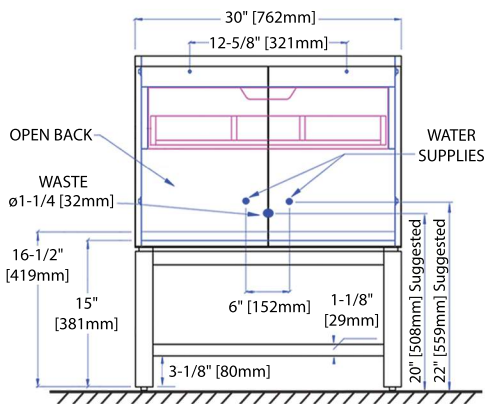


CT5000 2422

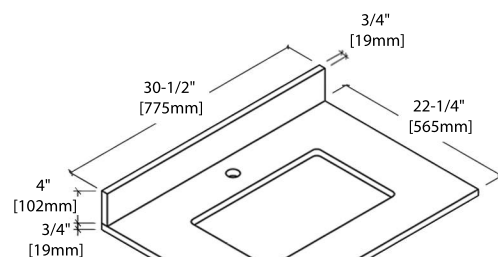
# 30" VANITY



V8000 30

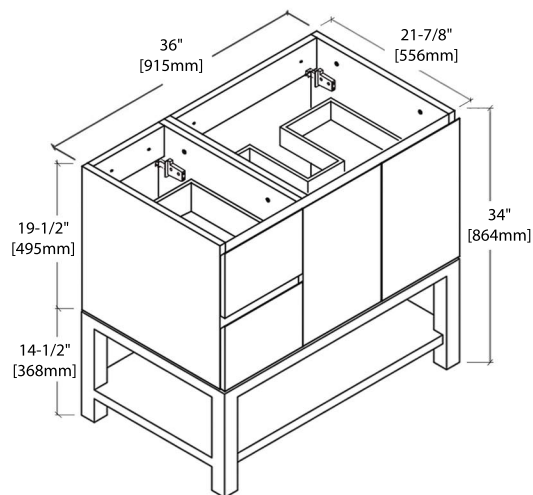


BACK VIEW

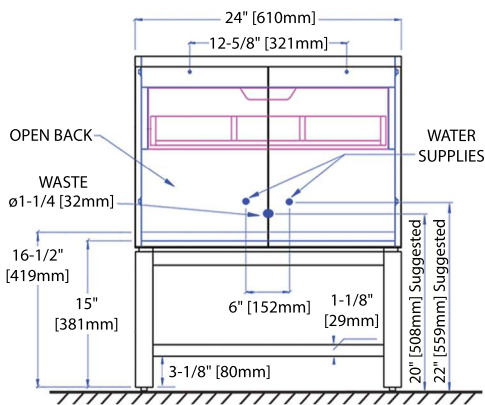


CT5000 3022

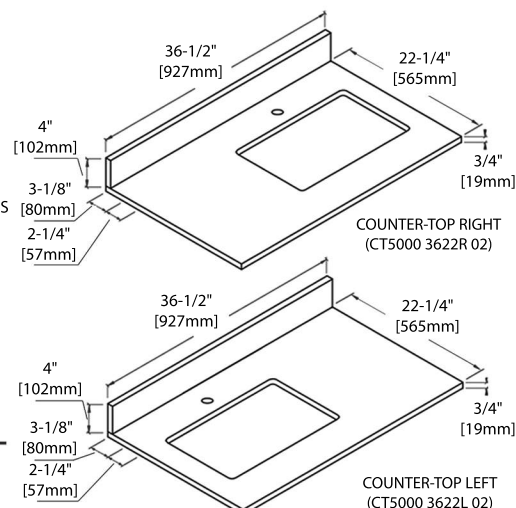
# 36" VANITY



V8000 36

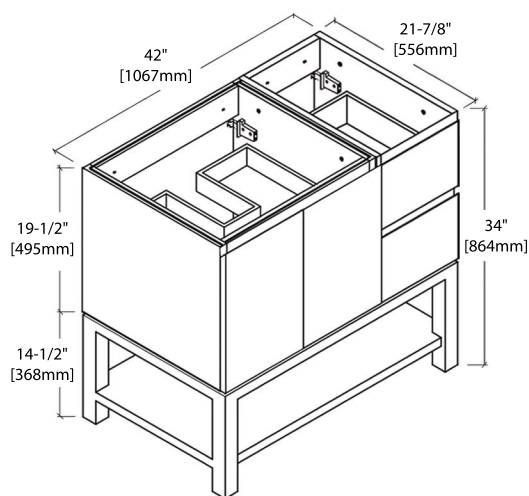


BACK VIEW

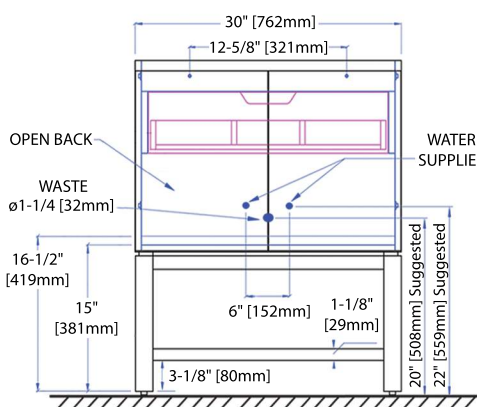


CT5000 3622

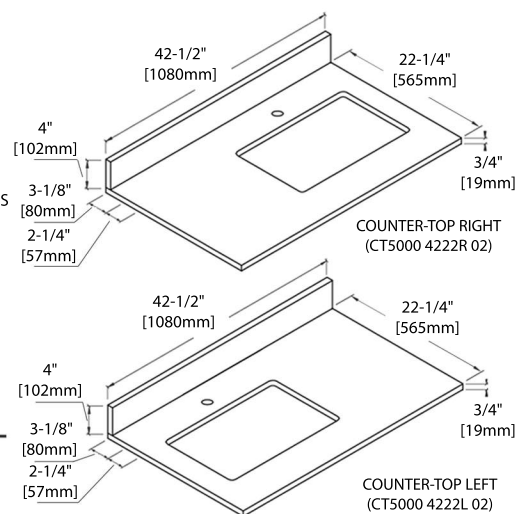
# 42" VANITY



V8000 42

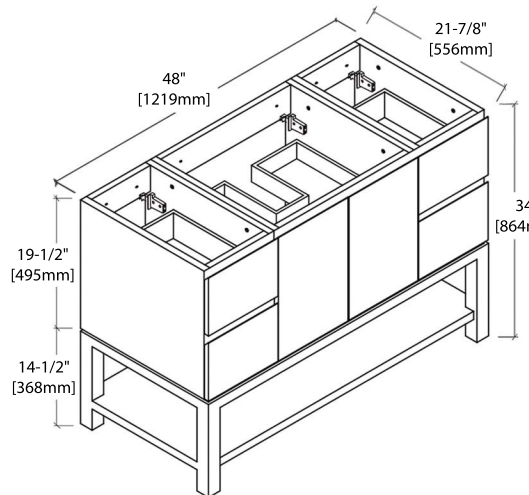


BACK VIEW

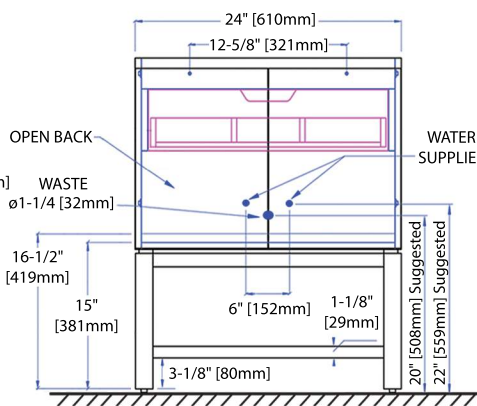


CT5000 4222

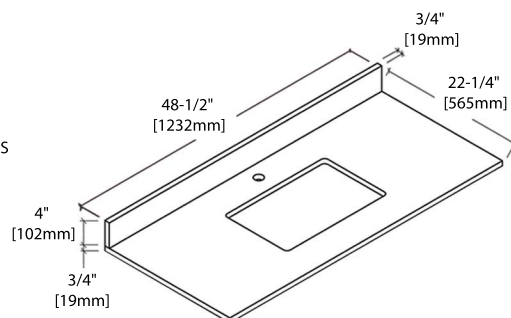
# 48" VANITY (SINGLE)



V8000 48

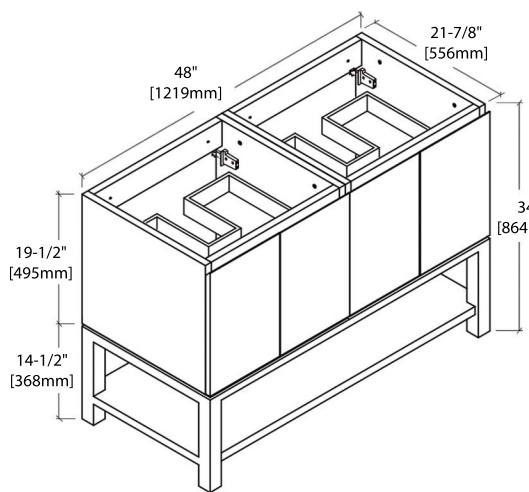


BACK VIEW

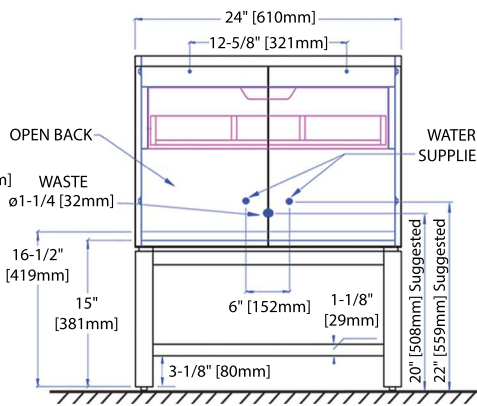


CT5000 4822S

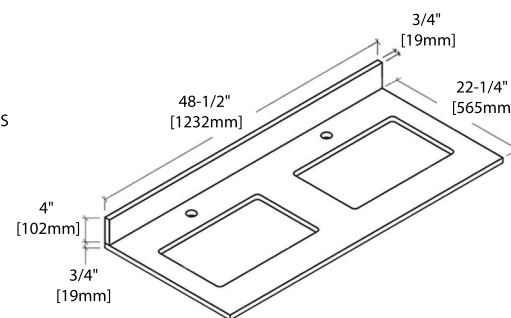
# 48" VANITY (DOUBLE)



V8000 48

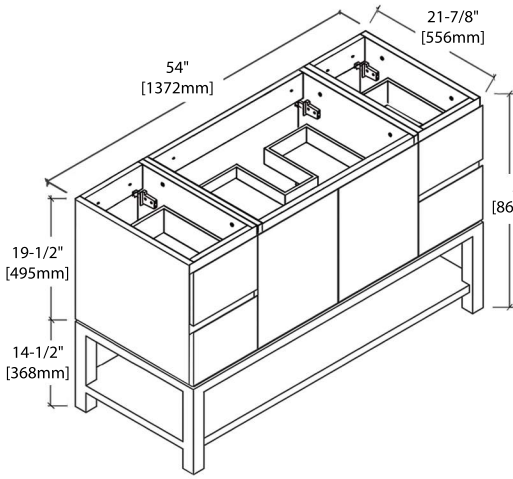


BACK VIEW

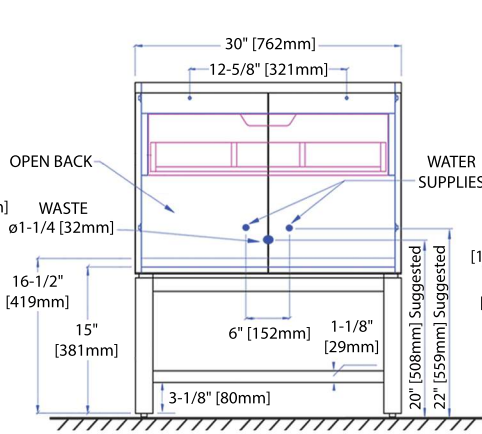


CT5000 4822D

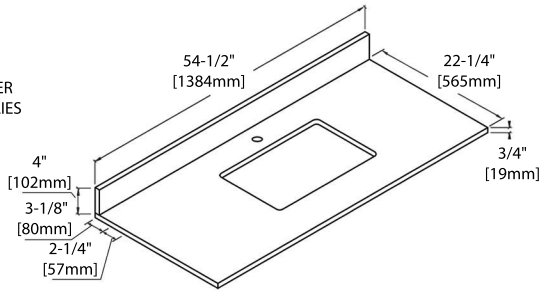
# 54" VANITY



V8000 54

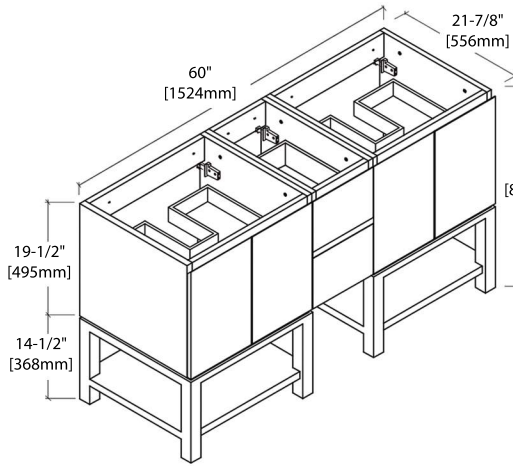


BACK VIEW

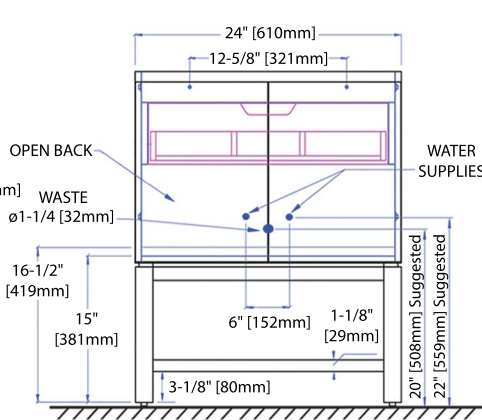


CT5000 5422

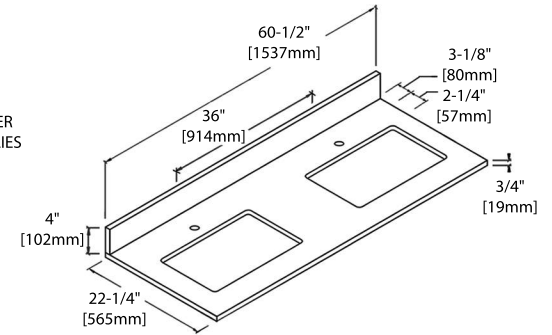
# 60" VANITY (DOUBLE 24")



V8000 60

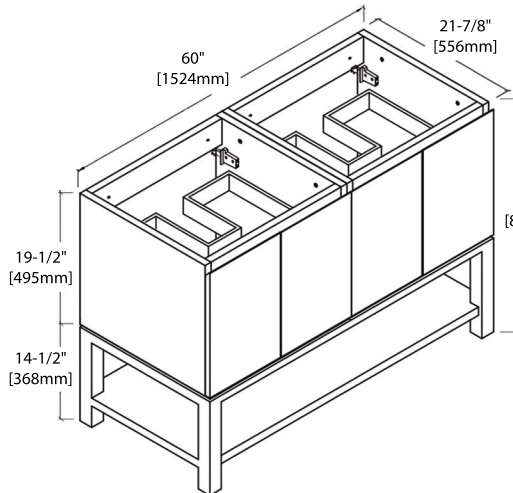


BACK VIEW

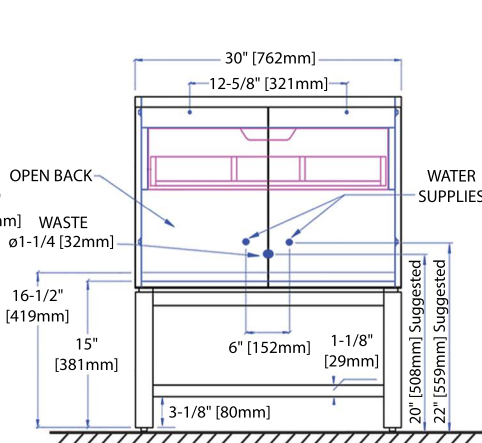


CT5000 6022 02 24

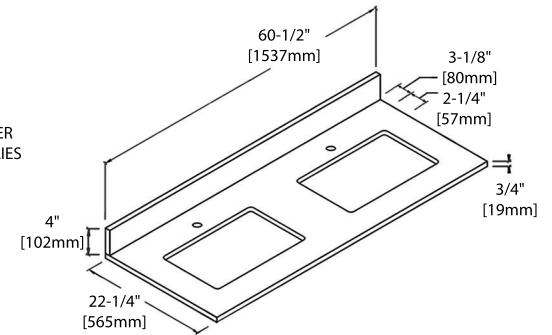
# 60" VANITY (DOUBLE 30")



V8000 60

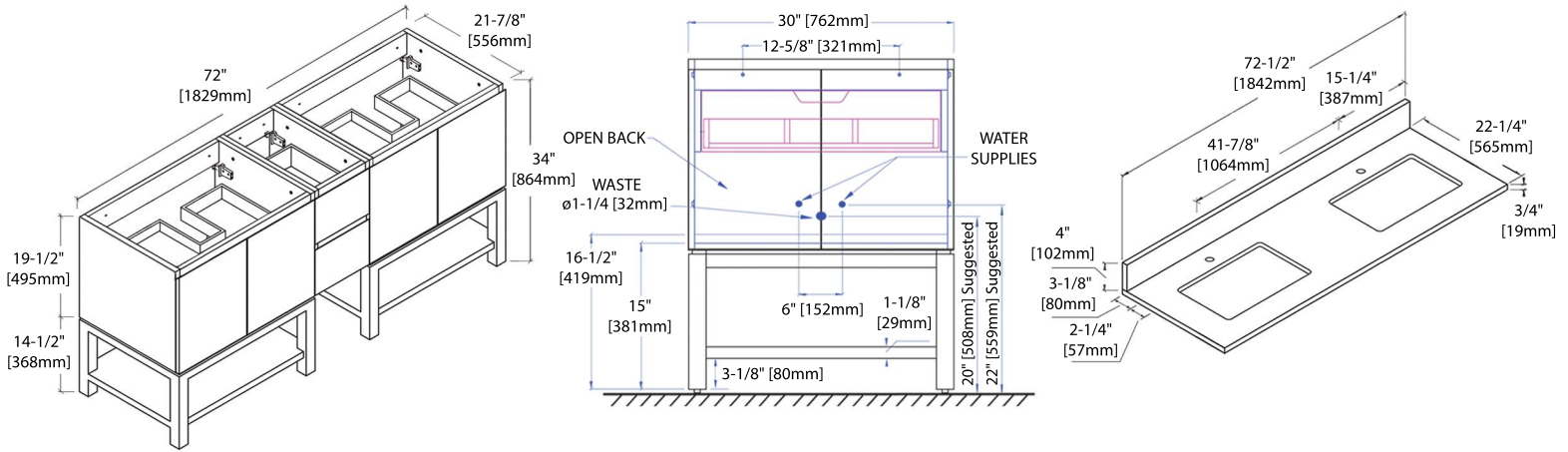


BACK VIEW



CT5000 6022 02 30



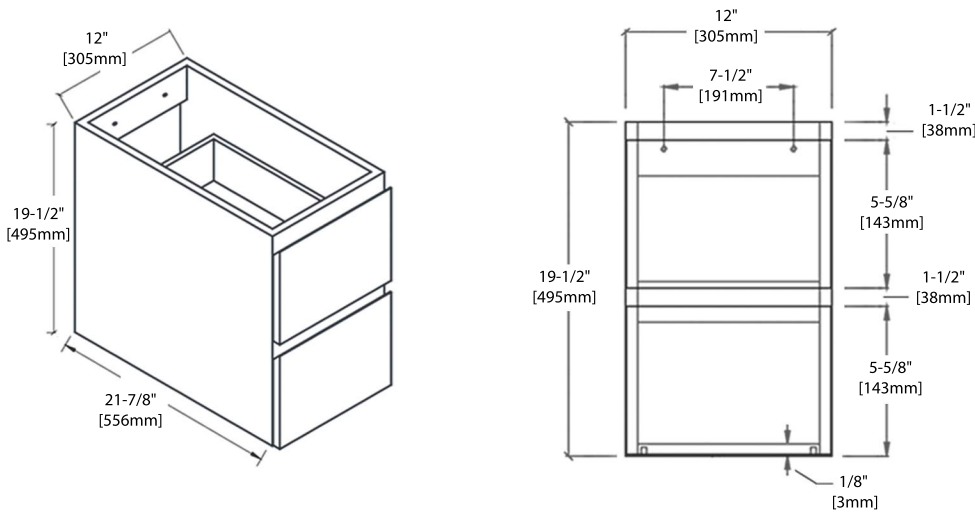


V8000 72

BACK VIEW

CT5000 7222

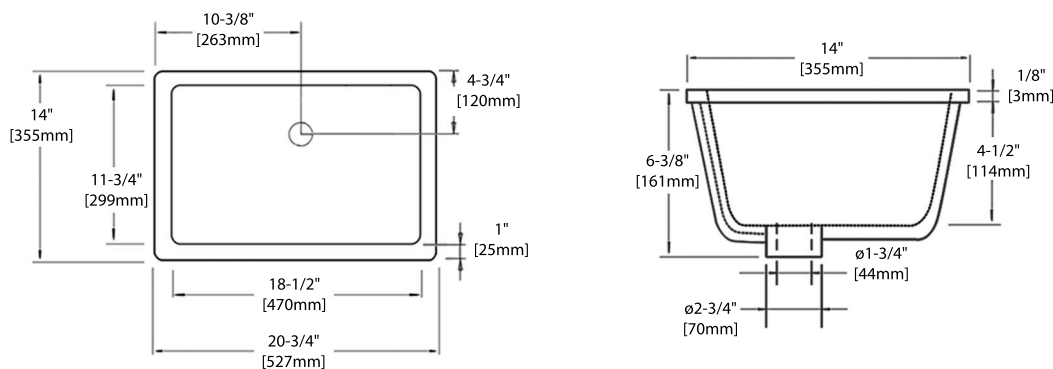
12" BRIDGE VANITY



V8000 12

BACK VIEW

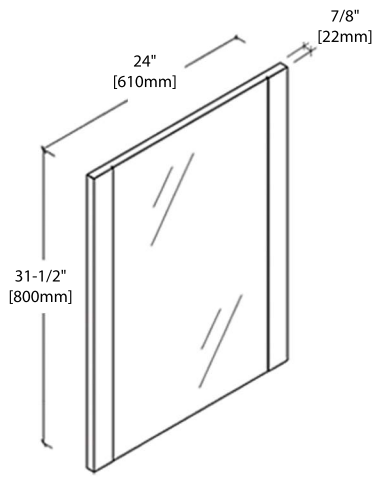
UNDERMOUNT BASIN - C09 2114



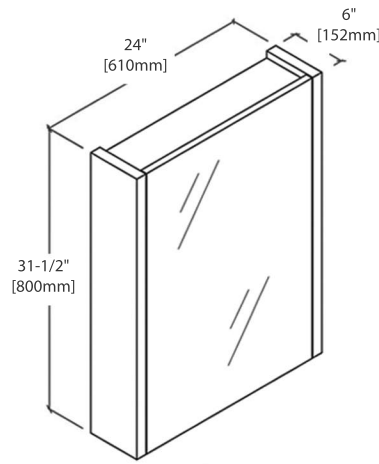
TOP VIEW

SIDE VIEW

**24" MIRROR / MEDICINE CABINET**

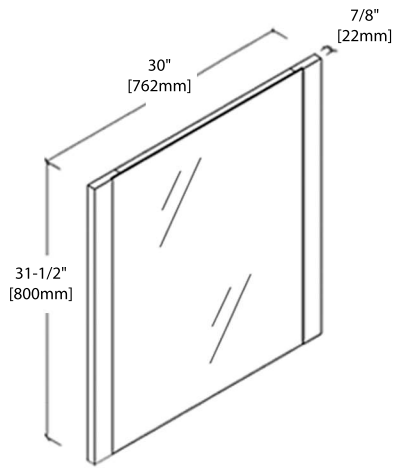


M6000 24

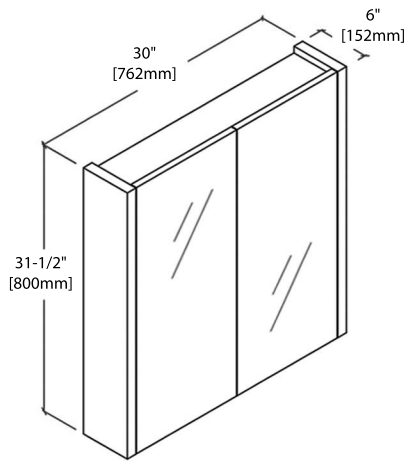


MC7000 24

**30" MIRROR / MEDICINE CABINET**

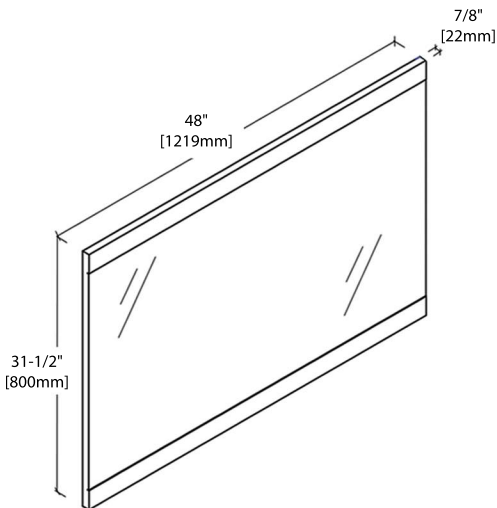


M6000 30



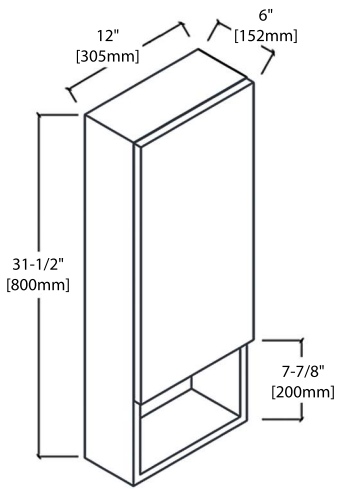
MC7000 30

**48" MIRROR**



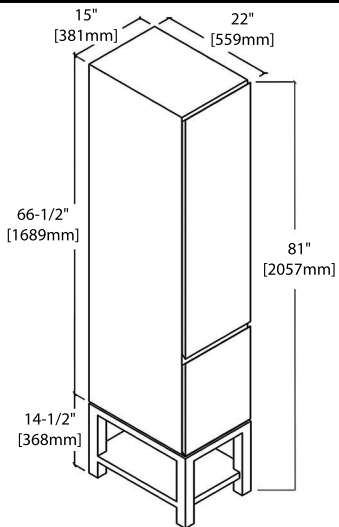
M6000 48

## 12" WALL CABINET



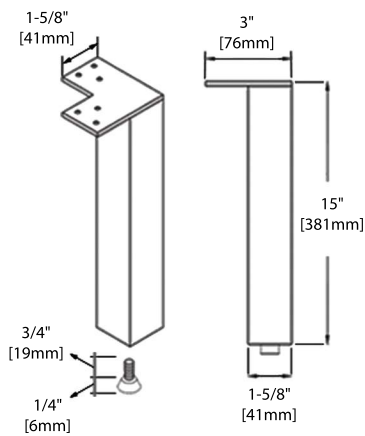
MC7000 12

## 15" LINEN CABINET



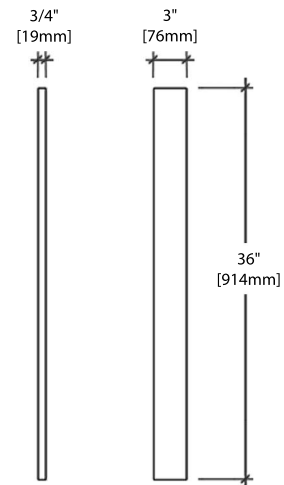
V8000 15

## CHROME LEGS



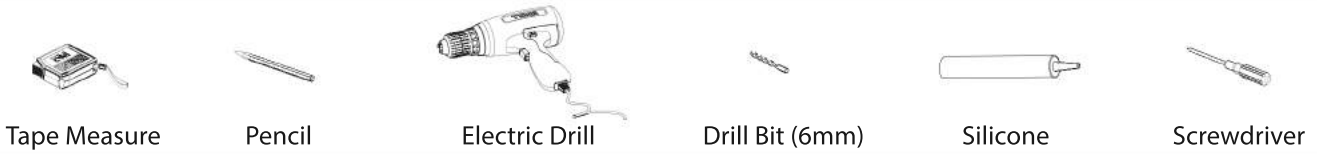
L9 15 SS

## BASE FILLERS

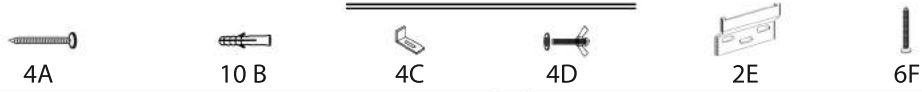


V8000 BF

# REQUIRED TOOLS



## PARTS INCLUDED



**1**

Horizontal Line

Screw position

Horizontal Line

Screw position

**2**

Hole  
Dia=ø6mm  
Depth=40

**3**

10B

**4**

4A

6F

2E

**5**

**6**

Horizontal Line

Screw Above : Adjust Vertically

Screw Below : Adjust Horizontally

