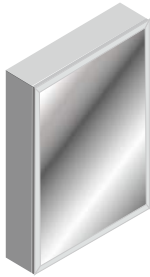




# BLOSSOM<sup>®</sup>

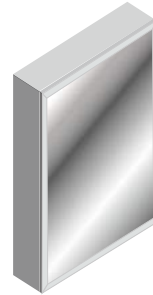
luxury made simple



MC8 1620



MC8 1526



MC8 2026



MC8 2031



MC8 2526



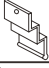
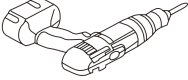
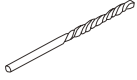
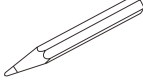
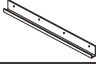

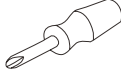



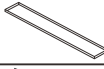

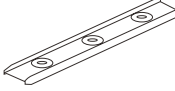

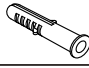
MC8 3026

## [ MEDICINE CABINET ]

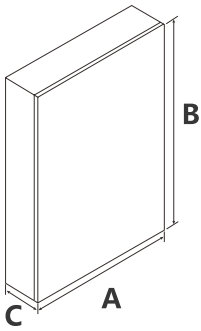
Specification & Installation Guide

[www.blossomus.com](http://www.blossomus.com)

# HARDWARE AND TOOLS

Hardware				Tools (not included)		
NO.		Draw	QTY(pcs)			
A	Top mounting bracket		2-3			
B	Bottom mounting bracket		1	Electric Drill	1/8" Drill Bit	Pencil or Marker
C	Hardware screw		4-10			
D	Glass side panel		2	Screw Driver	Silicone	Tape Measure
E	Glass Shelf		2			
F	Shelf support bracket		4-6	Toothless flat nose plier	Lever	
H	Wall Plug		4-10			

# DIMENSIONS



**A**-Cabinet's Width  
**B**-Cabinet's Height  
**C**-Cabinet's Depth

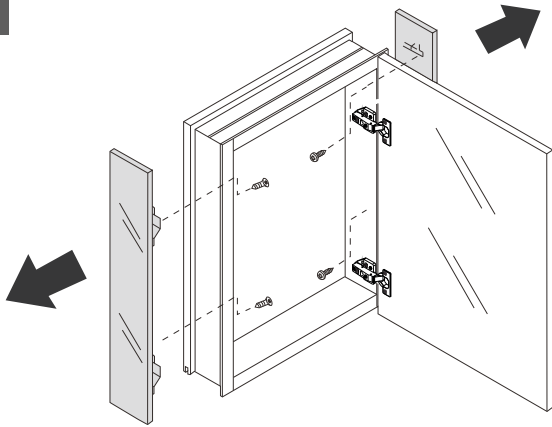
**NOTE:** Determine overall medicine cabinet dimensions.  
 If for recess mounting medicine cabinet, determine rough-in (Wall Cut-out) dimensions.

**NOTE:** All rough-in dimensions for reference only!

Model No	Item	A	B	C	Rough in size
MC8 1620		16"	20"	5"	15-1/2"x19-1/4"x4"
MC8 1526		15"	26"	5"	14-1/2"x25-1/4"x4"
MC8 2026		20"	26"	5"	19-1/2"x25-1/4"x4"
MC8 2031		20"	31"	5"	19-1/2"x25-1/4"x4"
MC8 2526		25"	26"	5"	24-1/2"x25-1/4"x4"
MC8 3026		30"	26"	5"	29-1/2"x25-1/4"x4"

# PRIOR TO MOUNTING

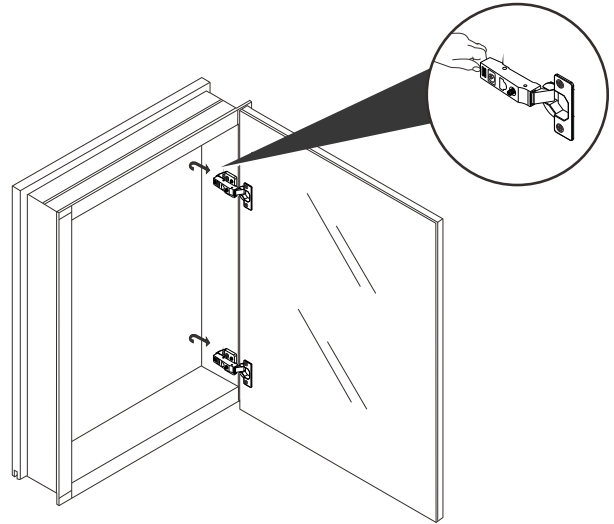
1



**For recess mount only!**

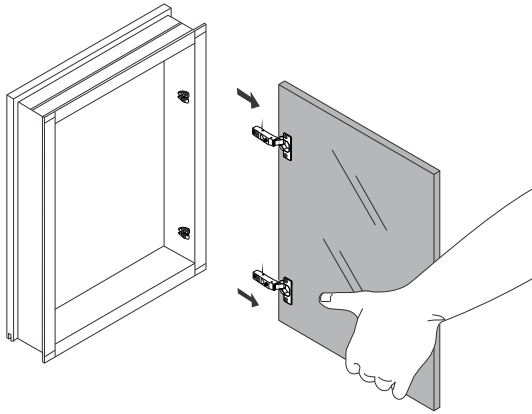
Carefully remove side mirror panels for recess mount installation.

2



While supporting the door release (the lever under the hinge arm), slide the door off the frame.

3

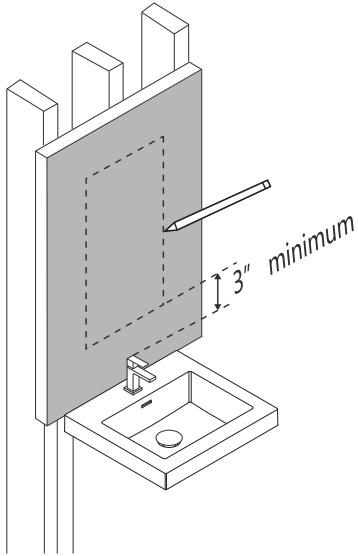


Take off the door(s) carefully and lay it down on a safe area.

4

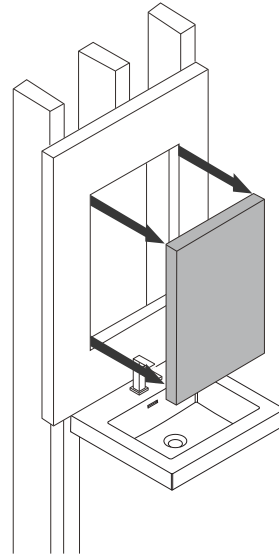
# RECESS MOUNT INSTALLATION CONTINUED

1



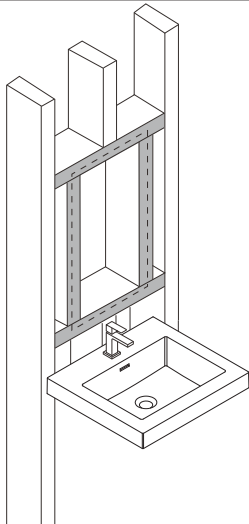
Draw the perimeter of the cabinet on the wall.

2



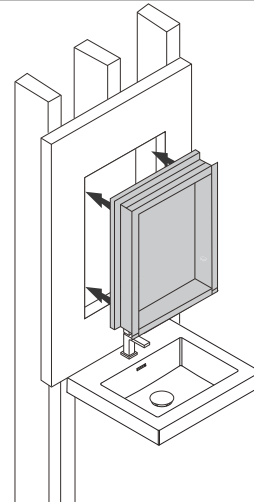
Cut the marked perimeter with suitable tool.

3



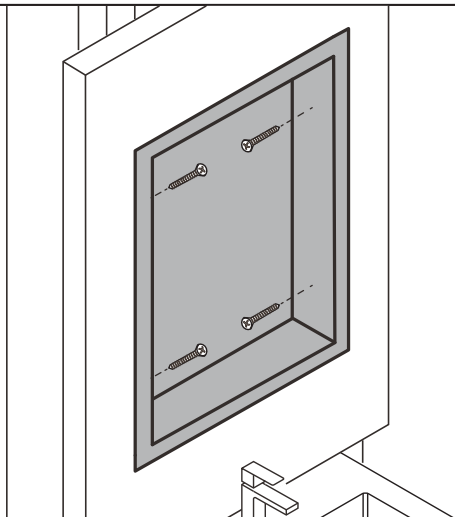
Frame the opening for the cabinet based on the measurements.

4



Position cabinet in cut out opening.

5

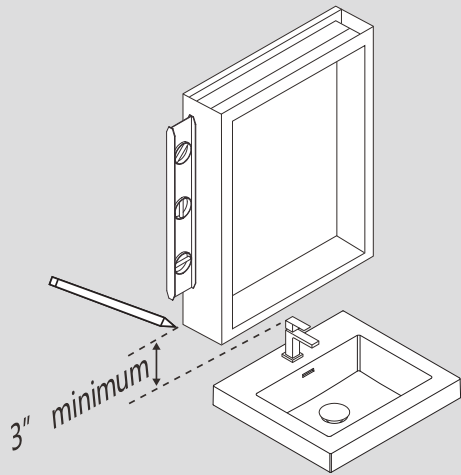


Affix using hardware screws into the studs.

6

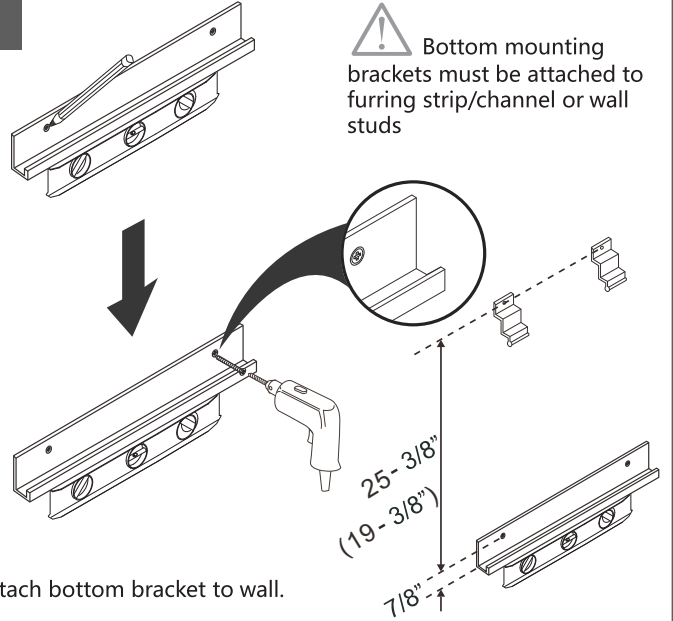
# SURFACE MOUNT INSTALLATION

1



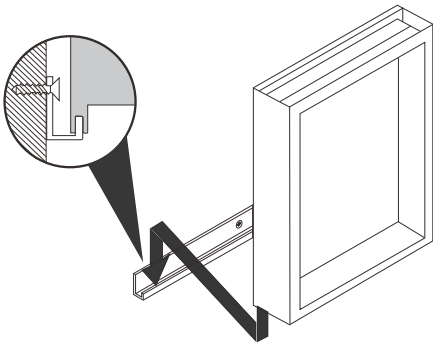
Level and mark the cabinet's location on the wall.

2



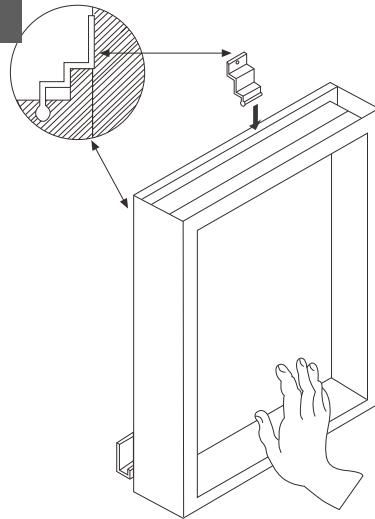
Attach bottom bracket to wall.

3



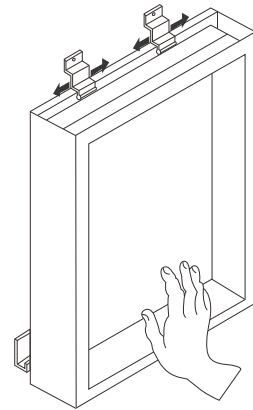
With assistance, to rest the cabinet on the mounting bracket and hold in place.

4



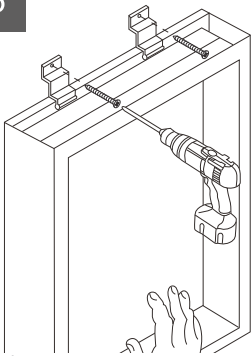
Insert top mounting bracket into the top of the cabinet.


5



Make sure top brackets are locked in the grooves.

6



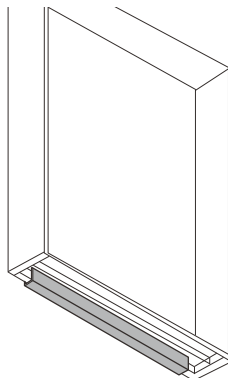
 Top mounting brackets must be attached to furring strip/channel or wall studs.

Attach the top mounting bracket to the wall using a screw gun.

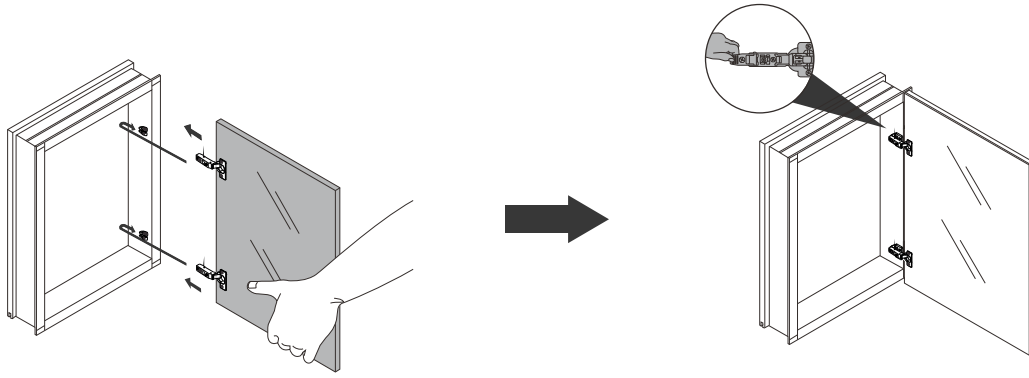
7



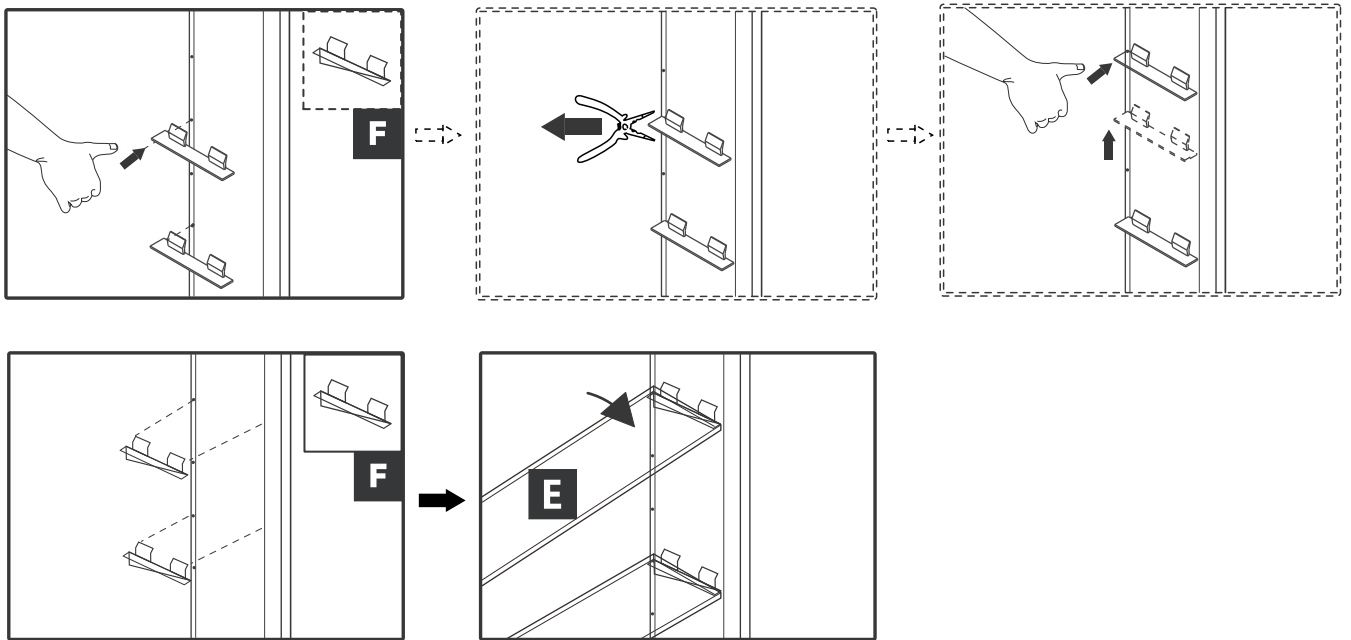
Make sure cabinet is leveled and fully inserted into the groove of the bottom bracket.



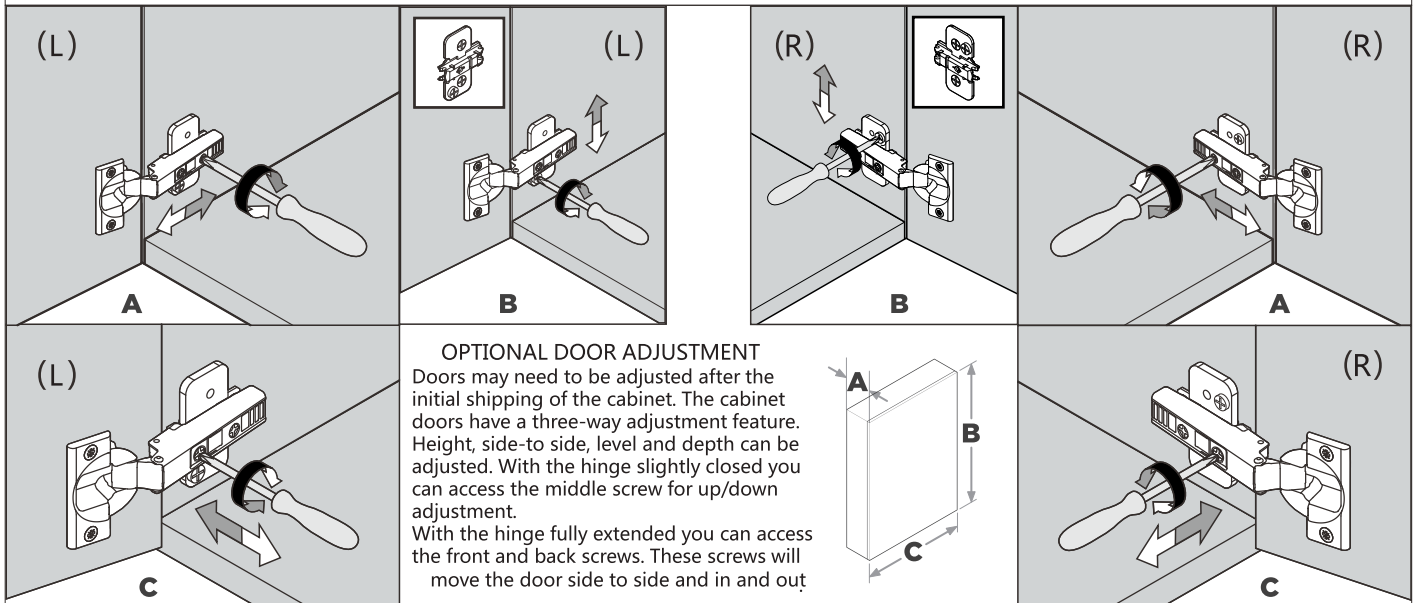
Test the fit of the cabinet before Final assembly.



1. Slide the doors into place by pinching the end of the hinges.
2. Plug the door into the cabinet.



1. Insert clear snap in shelf clips (F) into holes on the sides of the cabinet cabinet.



## Use and Maintenance:

The interior is constructed of mirrored glass and aluminum. Use only a damp cloth to clean. Ammonia or vinegar-based cleansers can damage mirrors.

When cleaning, spray the cloth, not the mirror, or surrounding surfaces. Do not use abrasive cleansers on any parts of the light fixture.



Blossom Kitchen & Bath Supply Corporation  
(718)-366-0088 | sales@BlossomUS.com | www.BlossomUS.com

For clarification, please contact us at (718)-366-0088 or sales@BlossomUS.com

All dimensions are approximate and subject to standard tolerance. Specifications subject to change without prior notice.