

Birmingham-30"

Specification & Installation Guide

Features

- Free Standing 30" Vanity: 29-5/16" W x 17-7/8" D x 32-5/8" H
- Two Doors and One Soft Closing Drawer
- Loft design gives you a timeless classic style bathroom.
- Furniture grade water proof polyvinyl chloride board protected with several coats of polyurethane.
- Two tempered safe glass insert dividers to keep your drawer more organized.
- Compatible matching mirrors.
- Compatible LED mirrors.
- Compatible LED medicine cabinets with surface or recessed mount options.
- Compatible ceramic sink top.
- Compatible artificial stone sink top.

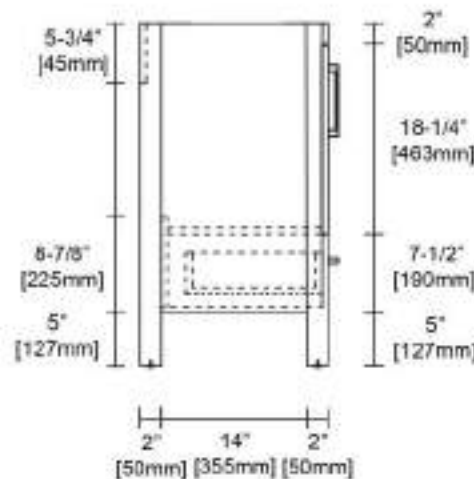
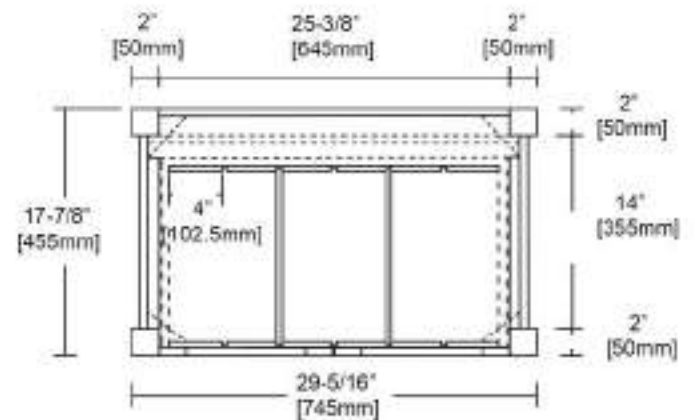
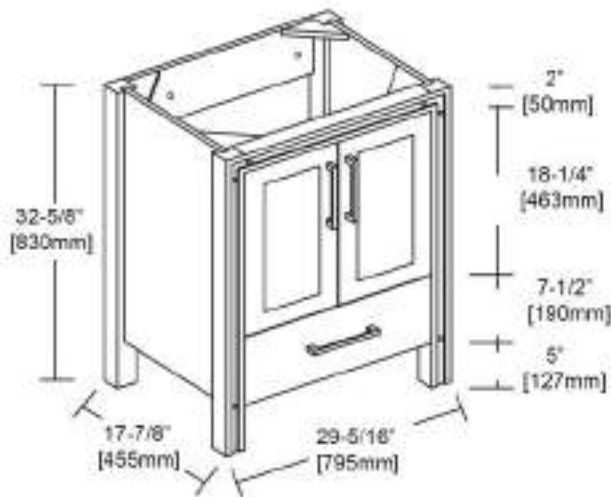
Colors/Finishes

- Glossy White (V8024 30 01)
- Metal Grey (V8024 30 15)

Package Dimension

- 31-5/8" W x 19-7/8" D x 35"H

Gross Weight



For clarification, please contact us at (718)-366-0088 or sales@BlossomUS.com

All dimensions are approximate and subject to standard tolerance. Specifications subject to change without prior notice.

Birmingham-30"

Specification & Installation Guide

TOOLS REQUIRED



Electrical Drill



6mm Drill Bit



Pencil



Phillips
Screwdriver



Tape Measure



Level

PARTS INCLUDED



Screws x 3

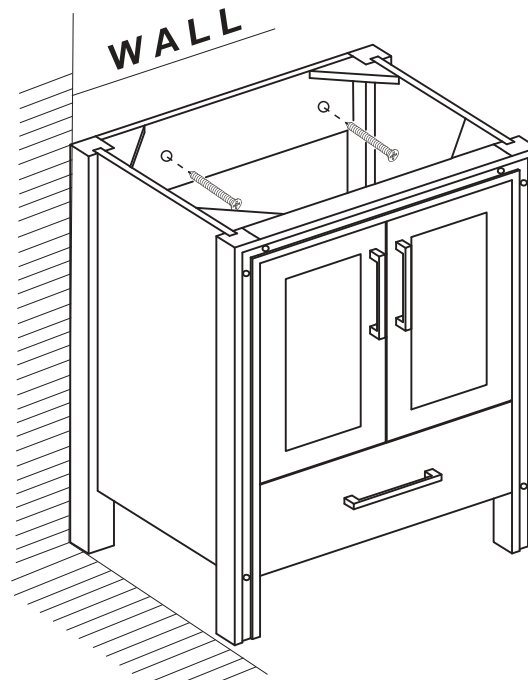


Anchors x 3

STEP 1

Secure the vanity

secured the vanity by using provided parts after determined left & right position and leveling.
Screws provided do not attach to all wall types, please consult an expert for the proper screws/bolts if necessary.



Birmingham-30"

Specification & Installation Guide

STEP 2

Install the sink top with silicone.

