

## Birmingham-24"

## Specification & Installation Guide

### Features

- Free Standing 24" Vanity: 23-7/16" W x 17-7/8" D x 32-5/8" H
- Two Doors and One Soft Closing Drawer
- Loft design gives you a timeless classic style bathroom.
- Furniture grade water proof polyvinyl chloride board protected with several coats of polyurethane.
- Two tempered safe glass insert dividers to keep your drawer more organized.
- Compatible matching mirrors.
- Compatible LED mirrors.
- Compatible LED medicine cabinets with surface or recessed mount options.
- Compatible ceramic sink top.
- Compatible artificial stone sink top.

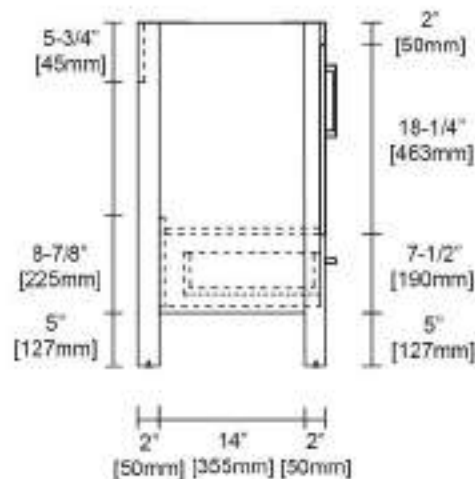
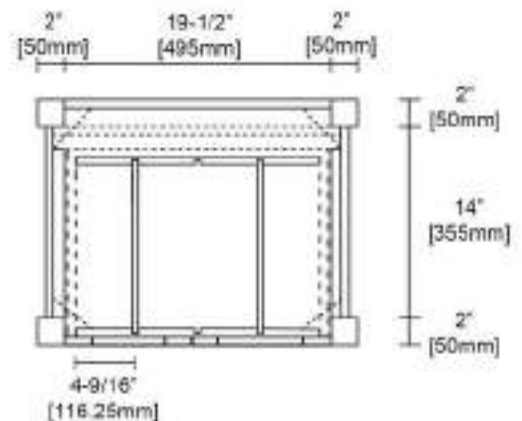
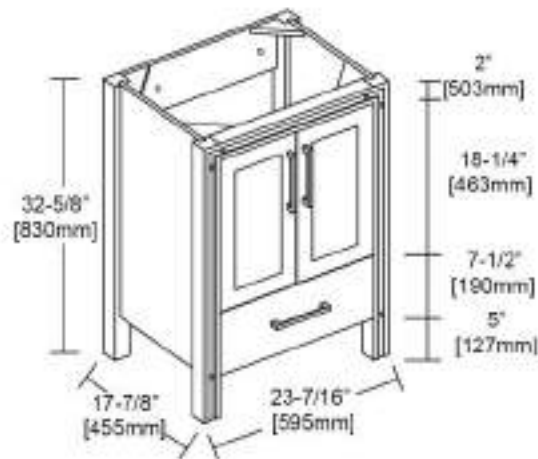
### Colors/Finishes

- Glossy White ( V8024 24 01 )
- Metal Grey ( V8024 24 15 )

### Package Dimension

- 25-3/4" W x 19-7/8" D x 35" H

### Gross Weight



## Birmingham-24"

## Specification & Installation Guide

### TOOLS REQUIRED



Electrical Drill



6mm Drill Bit



Pencil



Phillips  
Screwdriver



Tape Measure



Level

### PARTS INCLUDED



Screws x 3



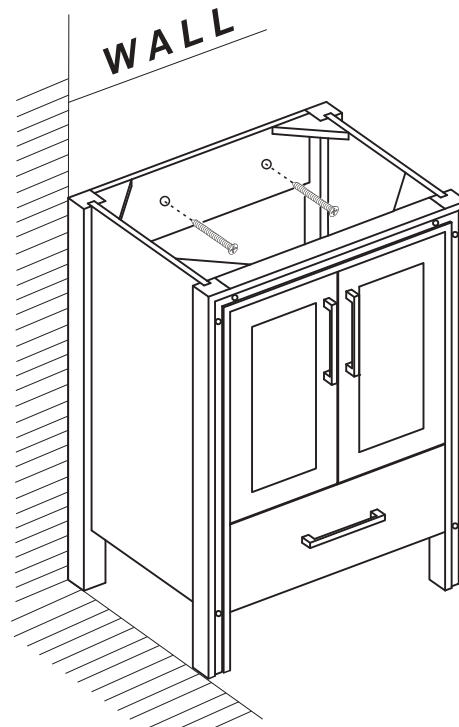
Anchors x 3

### STEP 1

#### Secure the vanity

secured the vanity by using provided parts after determined left & right position and leveling.

Screws provided do not attach to all wall types, please consult an expert for the proper screws/bolts if necessary.



## Birmingham-24"

## Specification & Installation Guide

### STEP 2

Install the sink top with silicone.

