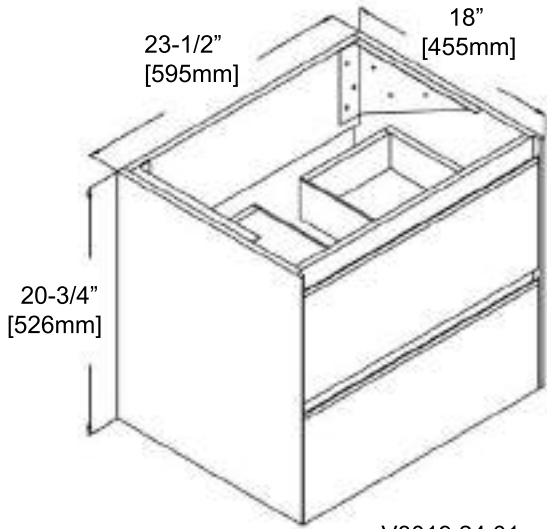
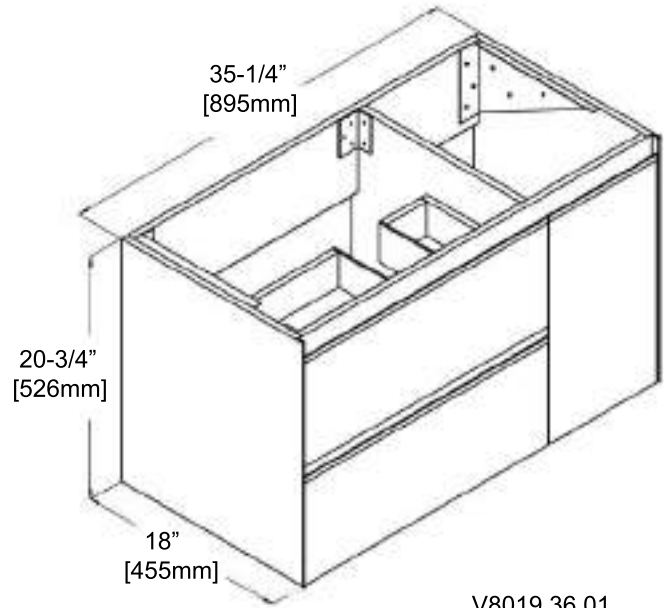




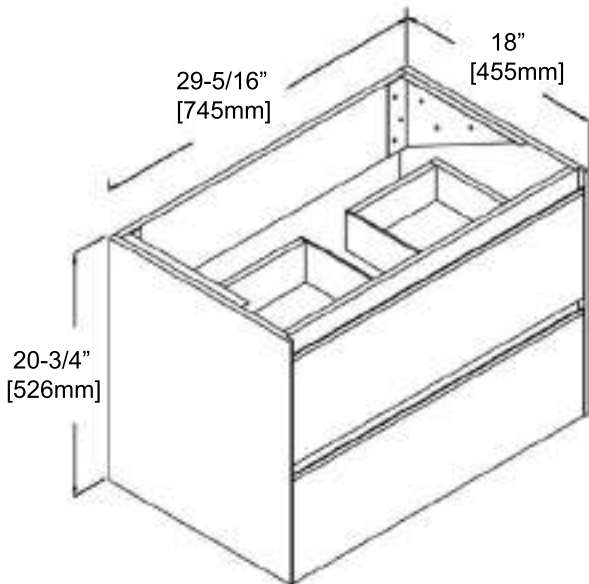
**BLOSSOM**<sup>®</sup>  
luxury made simple



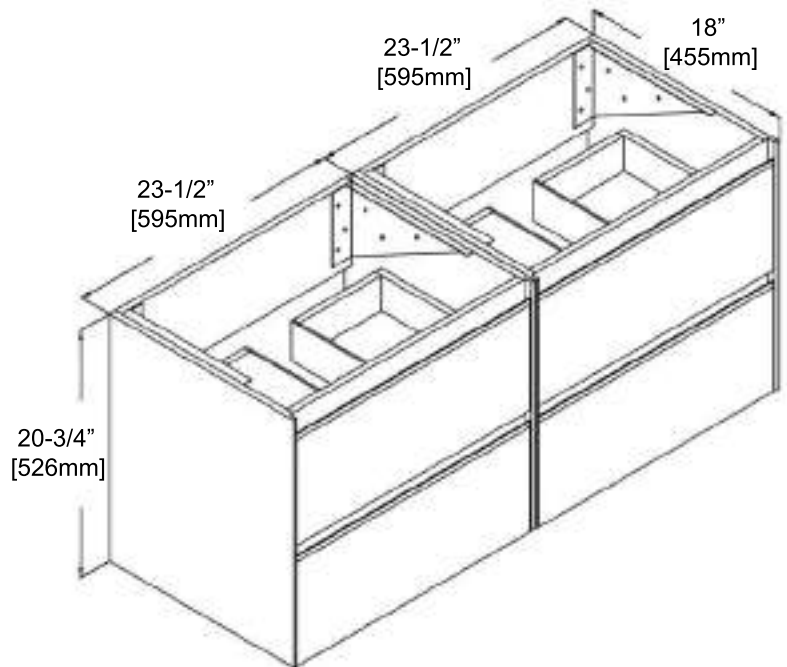
V8019 24 01



V8019 36 01



V8019 30 01



V8019 48 01

**[ BERLIN ]**  
Series Vanities  
**Specification & Installation Guide**

## Features

- Furniture grade water proof polyvinyl Chloride board, protected with several Coats of polyurethane.
- Matching finish inside with drawers front.
- Two fully adjustable drawer with Full extension soft-close hardware.

## Package Dimension

**24"** 26-3/8" x 20-15/32" x 24-1/64"

**30"** 32-43/64" x 20-15/32" x 24-1/64"

**36"** 38-37/64" x 20-15/32" x 24-1/64"

## Colors / Finishes

Box-Glossy Grey

Drawer front-Glossy White

Handle-Brushed Grey

## Gross Weight

**24"** 46.3LBS

**30"** 50.71LBS

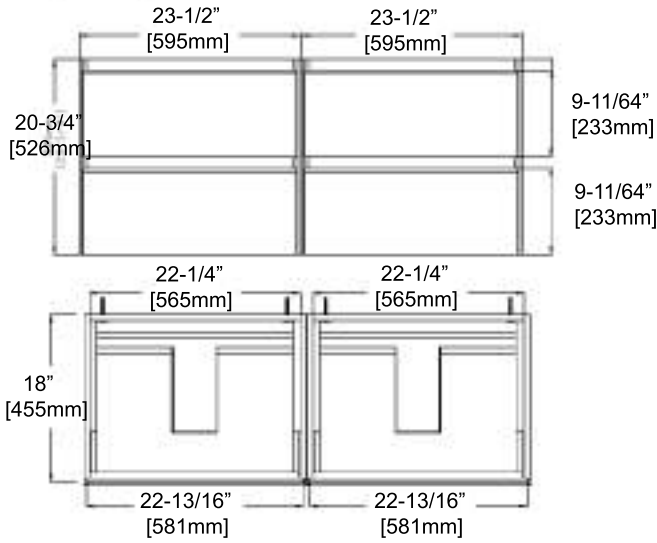
**36"** 57.32LBS

## Sink Top Options

| Vanities |                      | Ceramic basin | Artificial stone basin |
|----------|----------------------|---------------|------------------------|
| 24"      | V8019 24 01          | C04 2418      | A10 2418 25            |
| 30"      | V8019 30 01          | C04 3018      | A10 3018 25            |
| 36"      | V8019 36 01          | C04 3618      | A10 3618 25            |
| 48"      | V8019 48 01(two 24") | C04 4818D     | A10 4818 25D           |

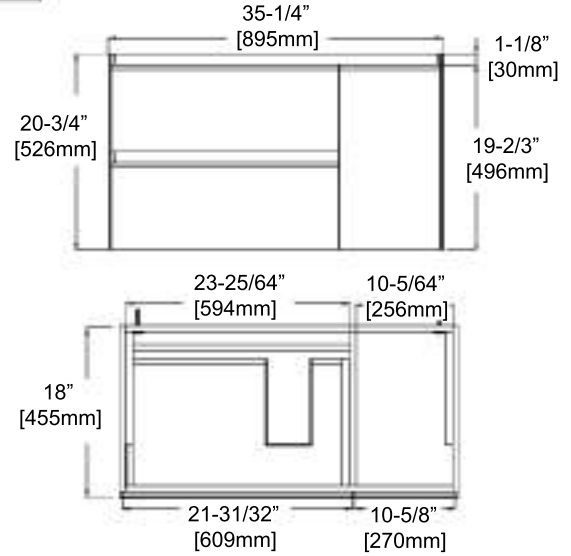
**48"**

47" X 18" X 20-3/4"



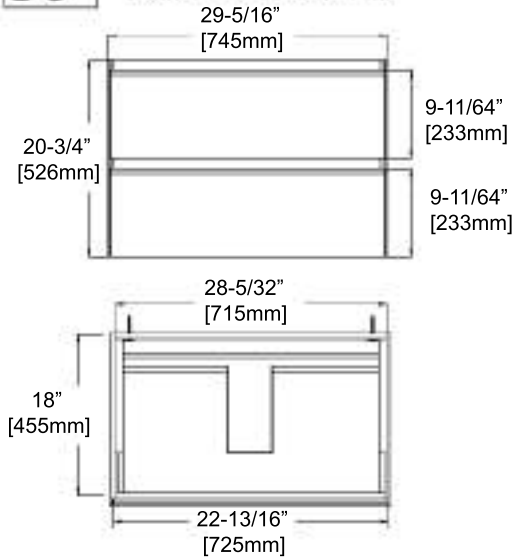
**36"**

35-1/4" X 18" X 20-3/4"



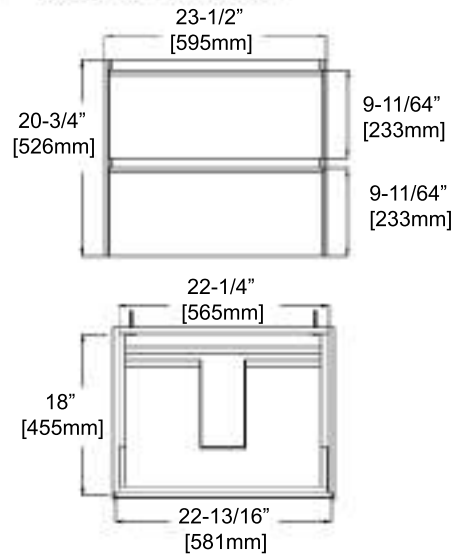
**30"**

29-5/16" X 18" X 20-3/4"

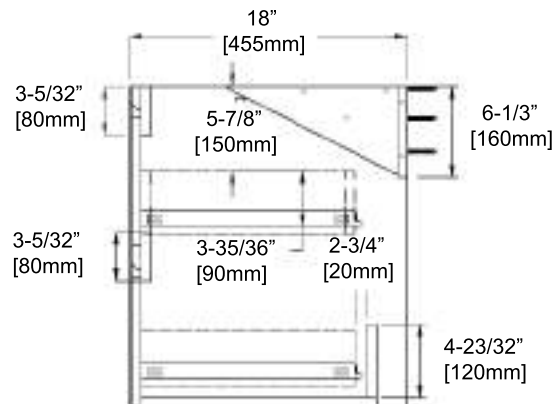



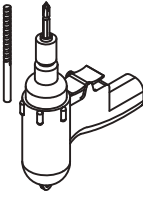

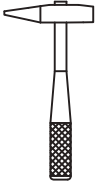


**24"**

23-1/2" X 18" X 20-3/4"



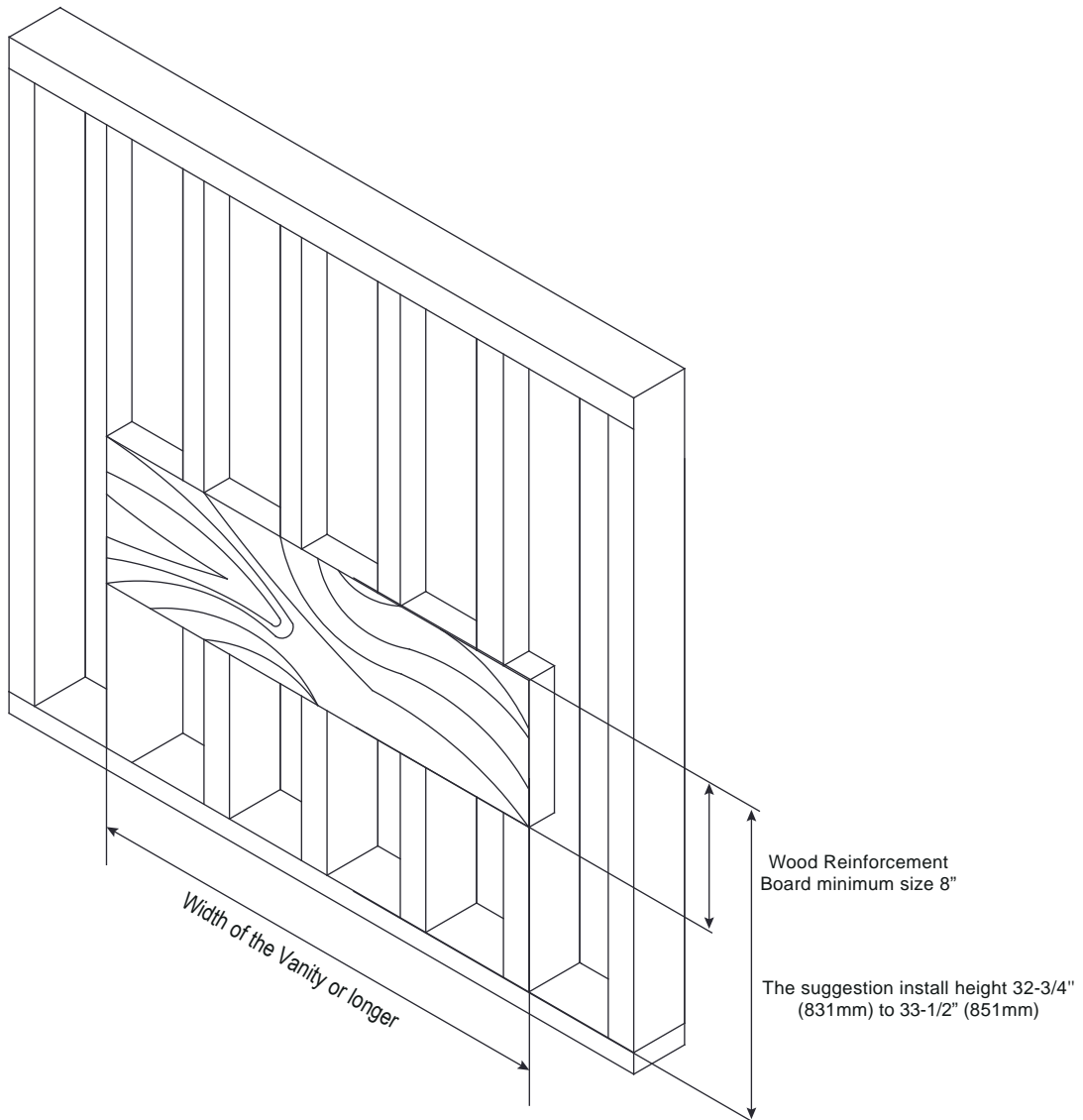
**Side View**



| Hardware |                  |   |       | Tools (not includes)   |  |  |
|----------|------------------|---|-------|--|--|--|
| No.      |                  | Draw  | Qty   |  |  |  |
| A        | Anchors          |  | 2pcs  |    |  |  |
| B        | Lag Bolt         |  | 10pcs |  |  |  |
| C        | Leveling Bracket |  | 2pcs  |  |  |  |

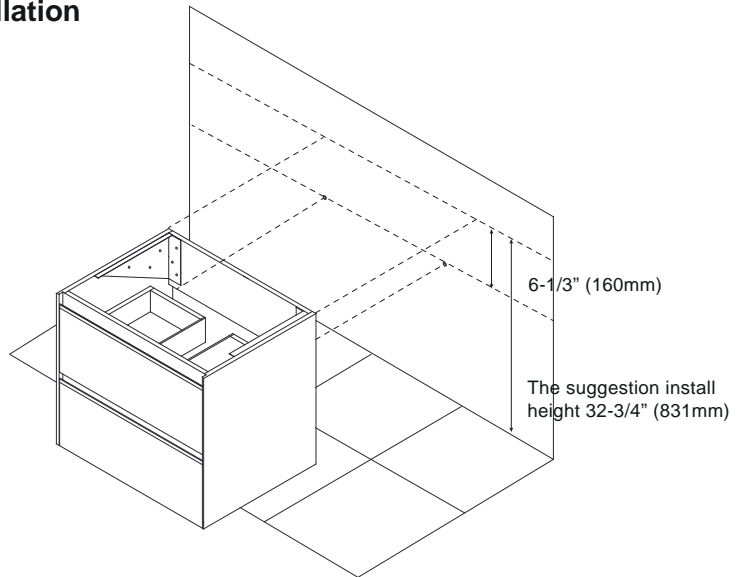
## Wall Preparation

The typical dimensions shown will result in vanity cabinet height of 32-3/4" (831mm). Depending on the sinks selected, the total height will vary from 33-1/2" (850mm) 35-1/4" (895mm). If an alternate height is desired, adjust the rough-in and backing material heights using the dimensions provided.



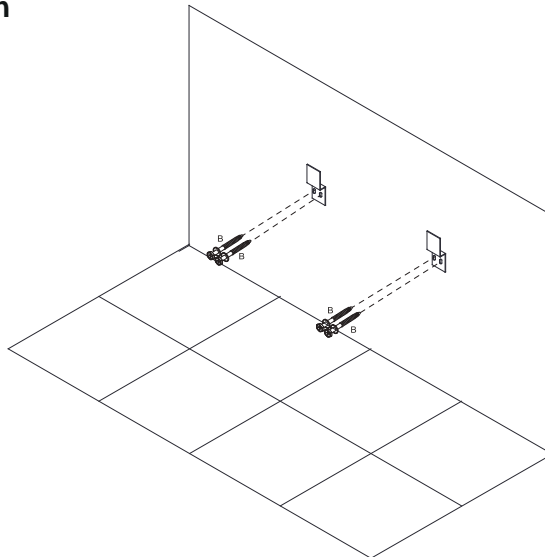
## STEP 1. Cabinet positioning and installation

- The suggestion height of vanity installation is 32-3/4" (831mm) - not including the basin.
- The height of Leveling Bracket Installation is 26-1/2" (671mm).



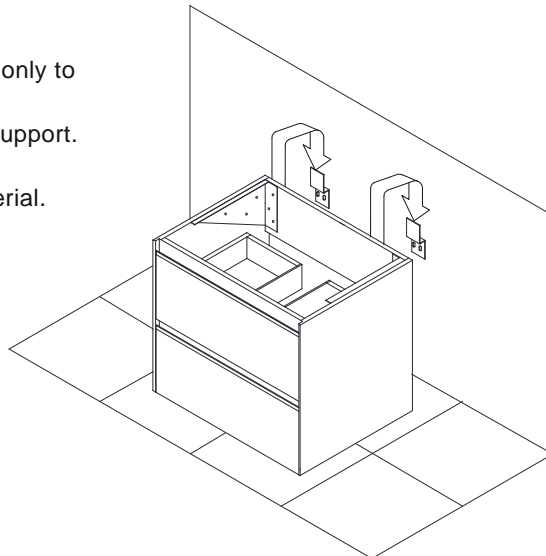
## STEP 2. Leveling bracket installation

- Install leveling bracket after determining the height of vanity.



## STEP 3. Hang the cabinet on the leveling bracket and adjust it horizontally

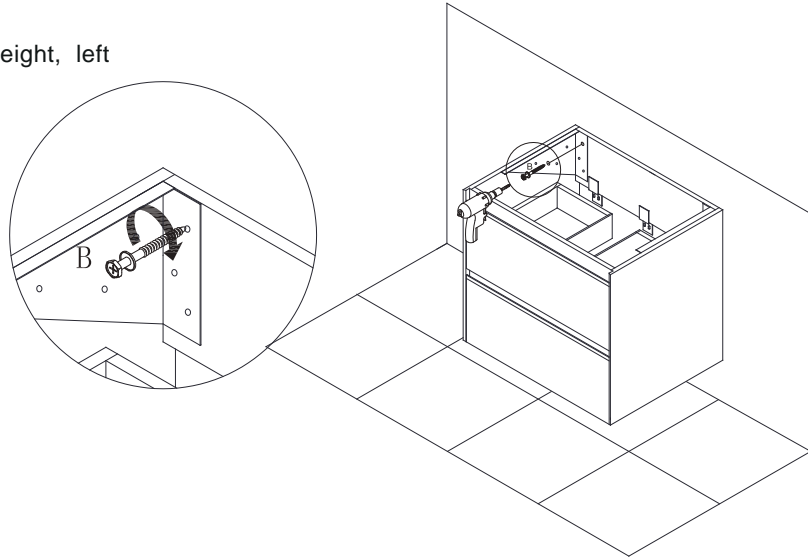
Place vanity on leveling bracket, Leveling brackets are only to level the vanity. They are not designed for permanent support. Vanity needs to be secured into the wood backing material.



**STEP 4.**

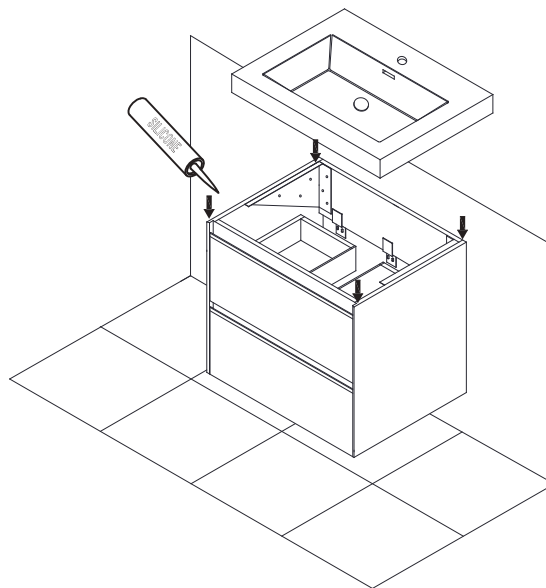
**Fixed Cabinet**

Install Lag Bolt after determined the height, left  
& right position then fix the Vanity.



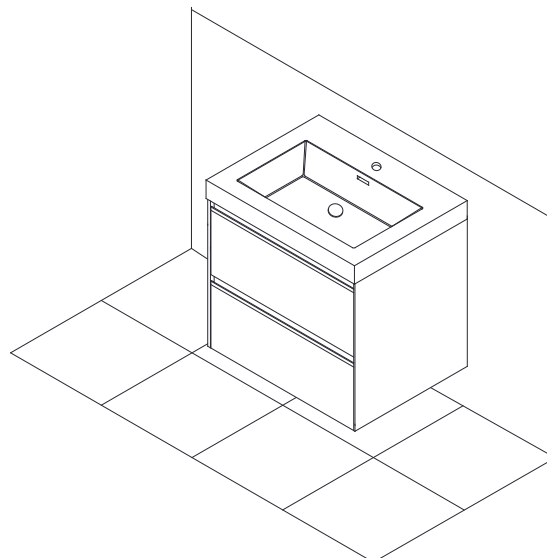
**STEP 5.**

**Install sink top with Silicone**



**STEP 6.**

**Finish**





Blossom Kitchen & Bath Supply Corporation  
(718)-366-0088 | sales@BlossomUS.com | www.BlossomUS.com

---

For clarification, please contact us at (718)-366-0088 or sales@BlossomUS.com  
All dimensions are approximate and subject to standard tolerance. Specifications subject to change without prior notice.