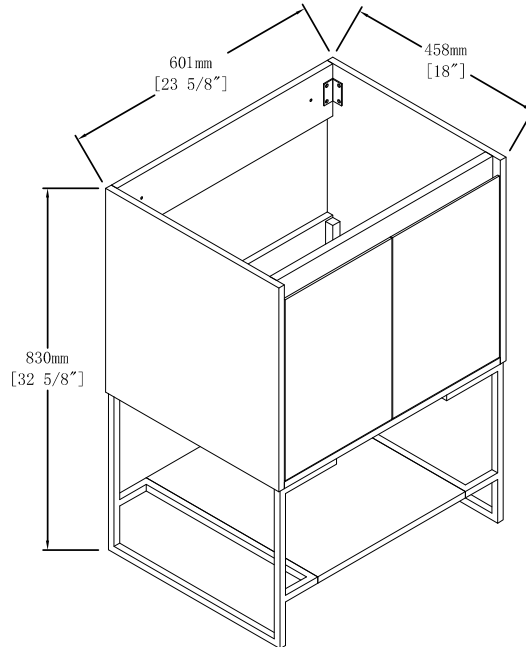
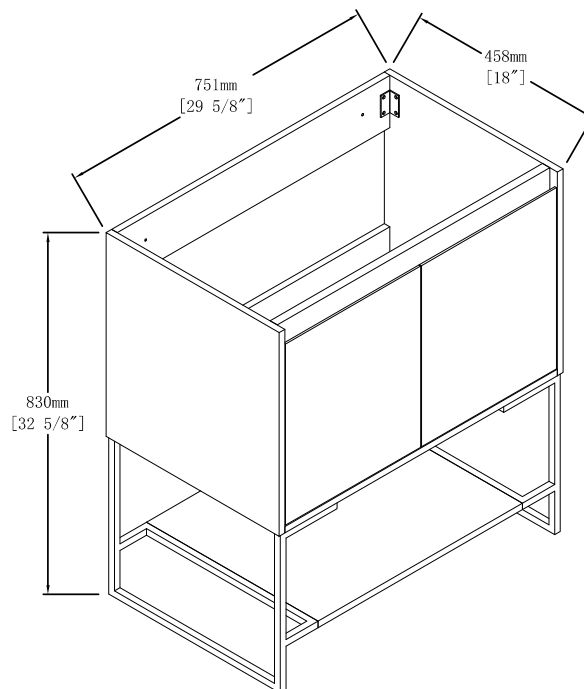




**BLOSSOM**<sup>®</sup>  
luxury made simple



V8032-24



V8032-30

[ **PORTO** ]  
Series Vanities

## Specification & Installation Guide

## Features

- Modern design with matte white or melamine finishes.
- Soft-closing doors.
- Compatible LED mirror or medicine cabinet.
- Easy installation.
- Come with 2-1/2" thick edge Modern artificial Stone Basin.

## Package Dimension

**24"** 28 1/8"x22 1/4"x26 1/2"

**30"** 33 7/8"x22 1/4"x26 1/2"

## Colors / Finishes

MATTE WHITE - 01

RED WALNUT-04

WALNUT-08

TEAK -09

NATURE MAPLE-12

## Gross Weight

**24"** 92 LBS

**30"** 110 LBS

## Sink Top Options

### Vanities

**24"** V8032-24

**30"** V8032-30

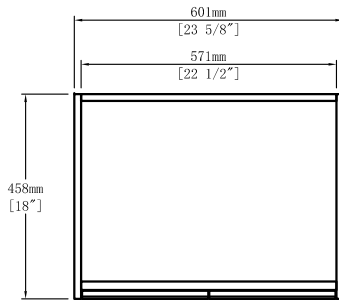
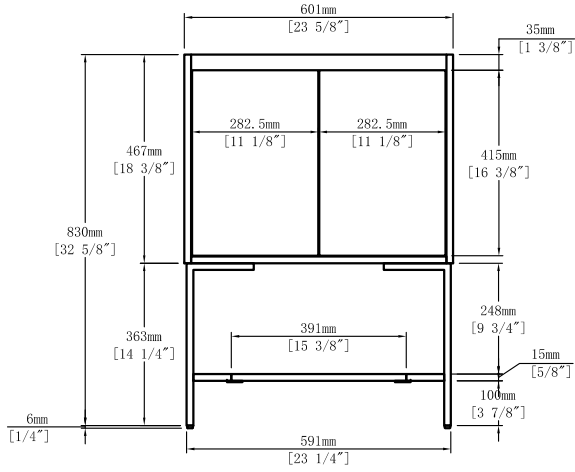
### Artificial stone basin

A10 2418 25

A10 3018 25

**24"**

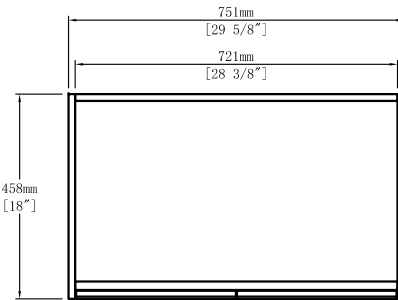
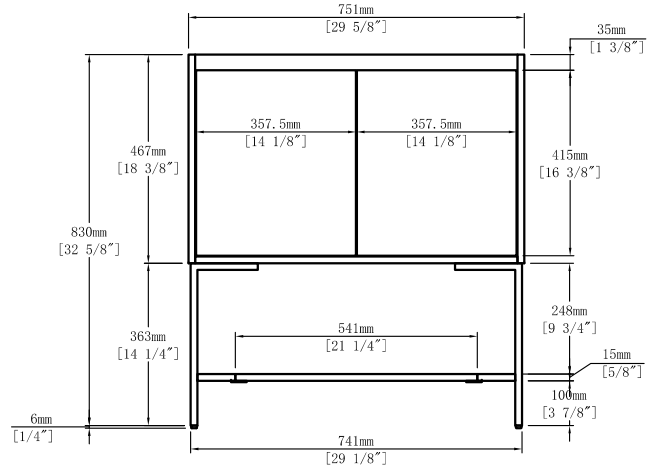
23-5/8"x18"x32-5/8"



TOP VIEW

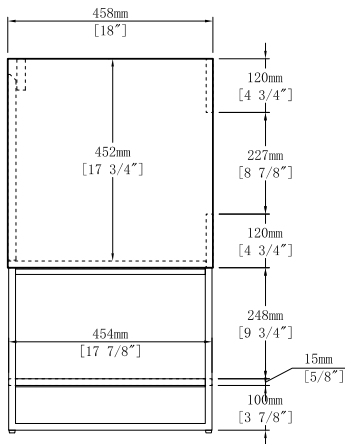
**30"**

29-5/8"x18"x32-5/8"



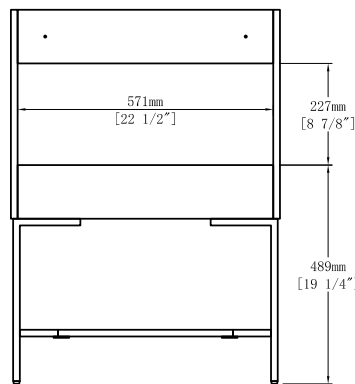
TOP VIEW

**24"**

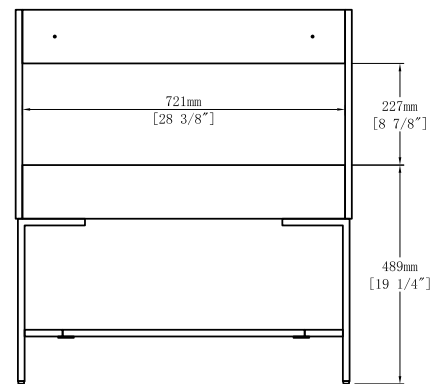


SIDE VIEW

**30"**

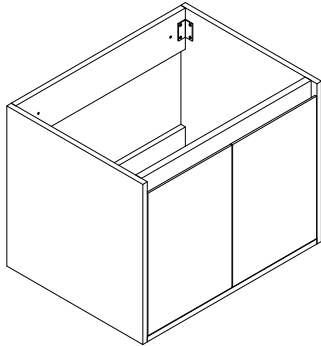


BACK VIEW

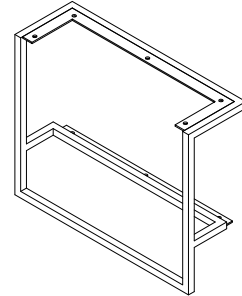


BACK VIEW

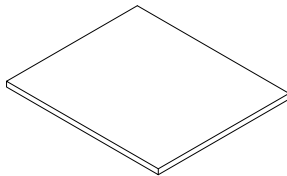
## Parts List



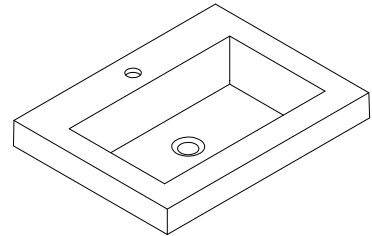
#1. x1




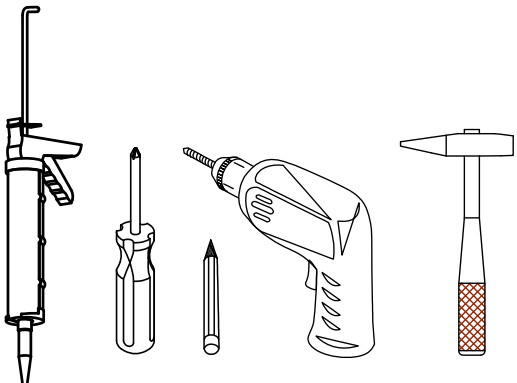






#2. x2



#3. x1

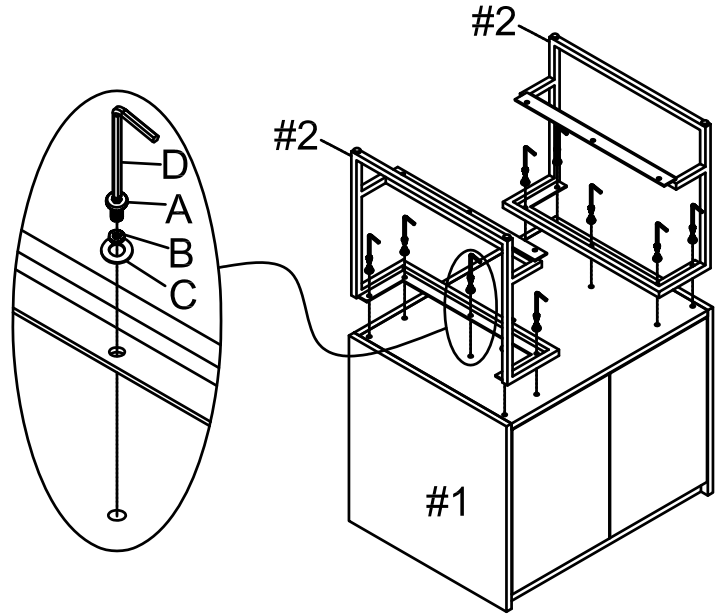


#4. x1

Hardware (Included)				Tools	
NO.		Draw	QTY		
A	Bolt		16		
B	Lock washer		16		
C	Flat washer		16		
D	Allen wrench		1		
E	Adjust Screws		4		
F	White rubber plug(Ø8 mm)		2		
G	Screws(M4*55mm)		2		

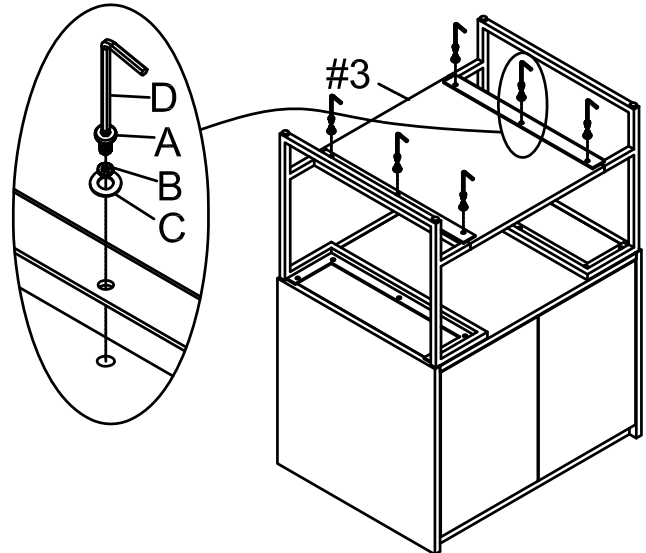
**STEP 1**

- Fix Part #2 to bottom shelf of Part #1 with fastening hardware A,B,C,D.



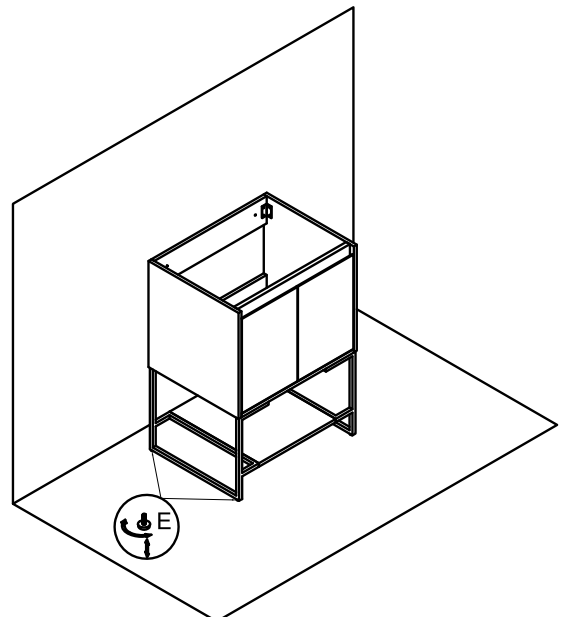
**STEP 2**

- Fix Part #3 to Part #2 with fastening hardware A,B,C,D.



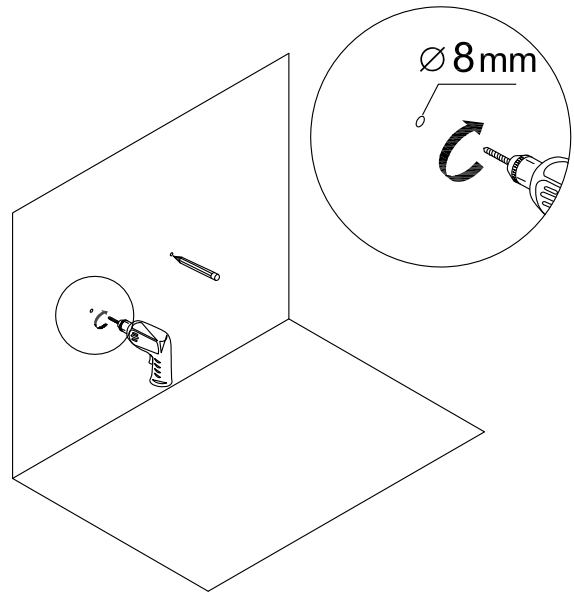
**STEP 3**

- Screw the lifting foot into the screw holes at the bottom.
- The adjusting screw at the bottom of the metal foot can be raised 0-9/16"(0-15mm).



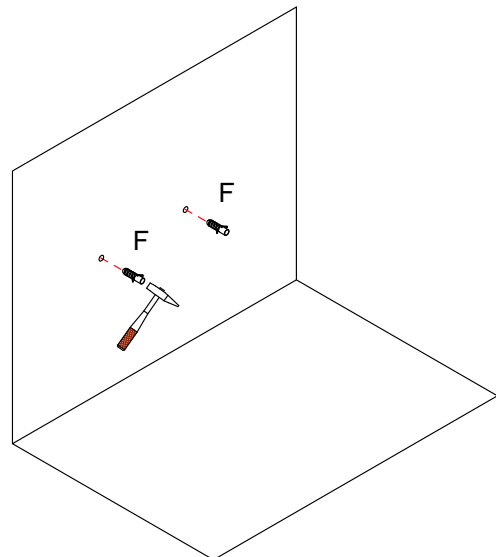
**STEP 4**

- Mark the pre-drilled holes with a pencil or marker after positioning and leveling the vanity with adjusting screws on.
- Drill the holes with suitable drill-bits base on different conditions of the wall.



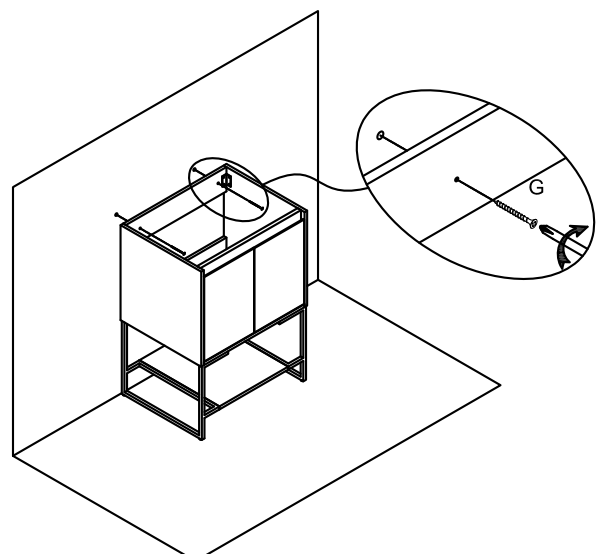
**STEP 5**

- White rubber plug for brick wall or concrete wall.



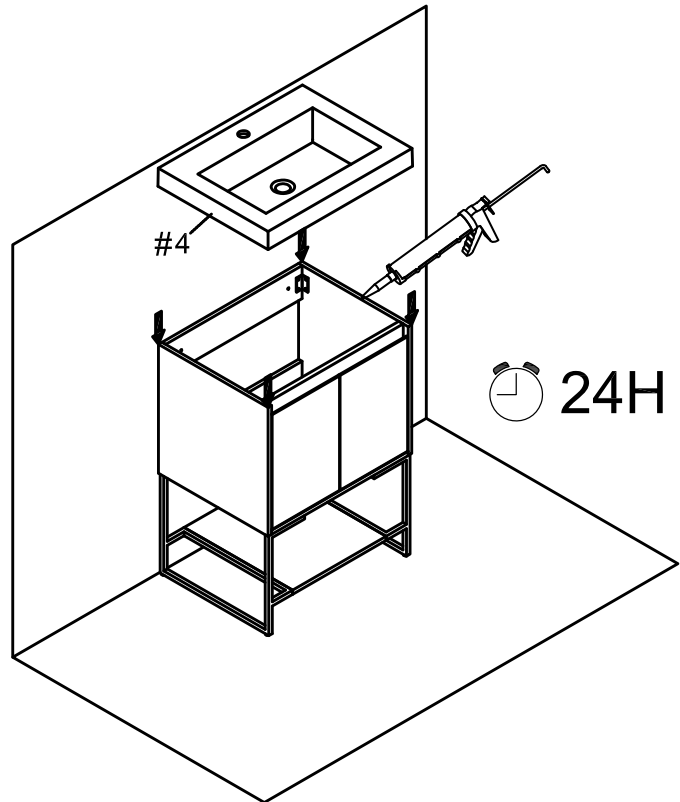
**STEP 6**

- Fix the cabinet to the wall with screw G.



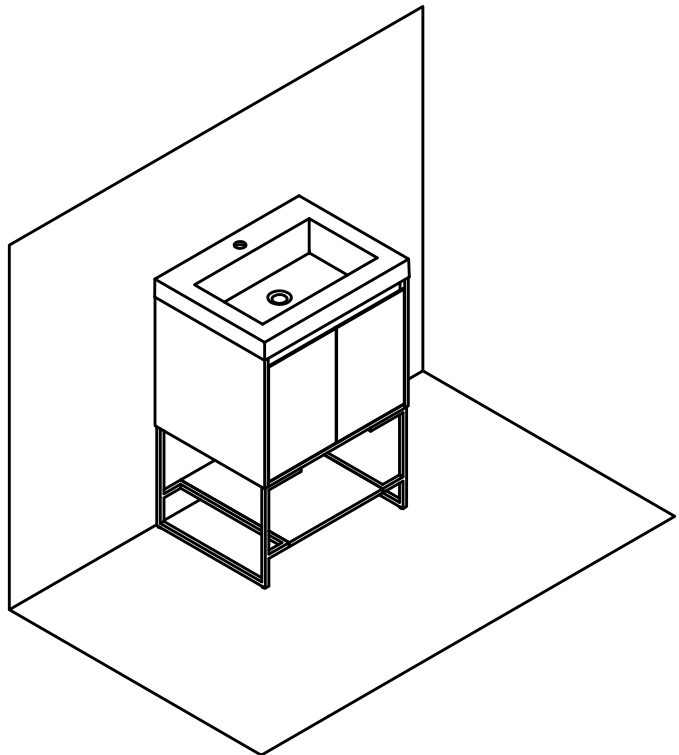
**STEP 7**

- Install the basin with silicone.



**STEP 8**

- Installation complete.





Blossom Kitchen & Bath Supply Corporation  
(718)-366-0088 | [sales@BlossomUS.com](mailto:sales@BlossomUS.com) | [www.BlossomUS.com](http://www.BlossomUS.com)

---

For clarification, please contact us at (718)-366-0088 or [sales@BlossomUS.com](mailto:sales@BlossomUS.com)  
All dimensions are approximate and subject to standard tolerance. Specifications subject to change without prior notice.