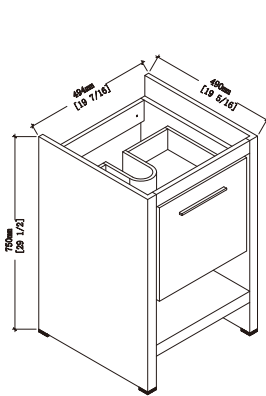


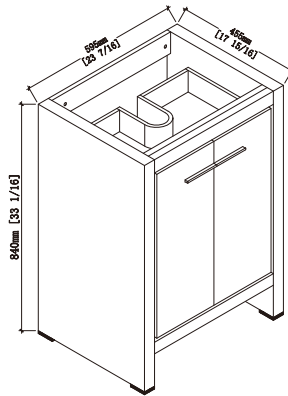


BLOSSOM[®]

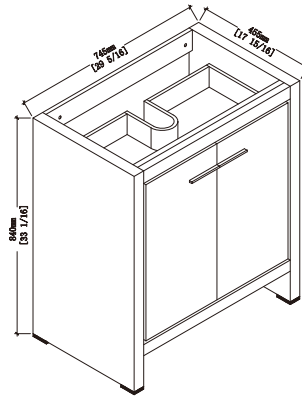
luxury made simple



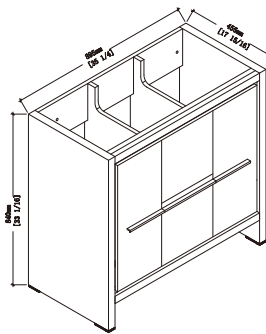
V8014-20



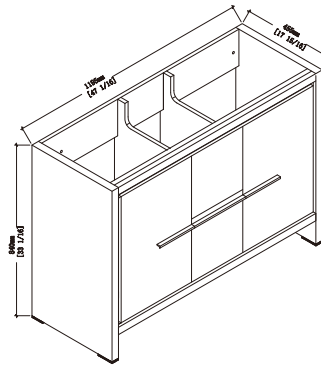
V8014-24



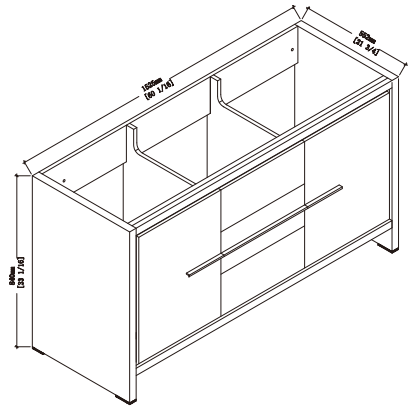
V8014-30



V8014-36



V8014-48



V8014-60

[MILAN] Series Vanities

Specification & Installation Guide

Features

- Modern design with high glossy paint or silver grey melamine finishes.
- Soft-closing doors and drawers.
- Compatible ceramic basins or artificial stone basins.
- Compatible matching mirror, medicine cabinet or LED mirror, medicine cabinet.
- Full extension drawers.
- Easy installation

Package Dimension

| | |
|------------|-----------------------------------|
| 20" | 22 26/64" x 22 16/64" x 32 31/64" |
| 24" | 26 3/8" x 20 55/64" x 36 1/32" |
| 30" | 32 9/32" x 20 55/64" x 36 1/32" |
| 36" | 38 3/16" x 20 55/64" x 36 1/32" |
| 48" | 50" x 20 55/64" x 36 1/32" |
| 60" | 62 63/64" x 24 11/16" x 36 1/32" |

Colors / Finishes

Glossy White - 01

Sliver Grey - 16

Gross Weight

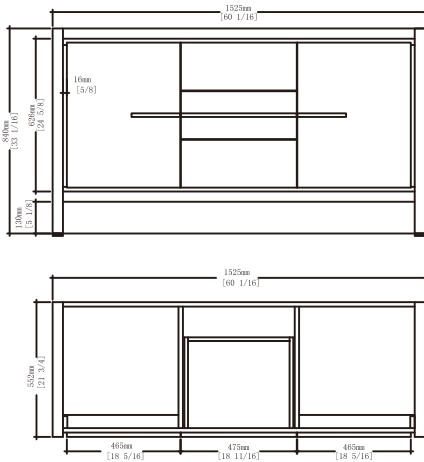
| | |
|------------|---------|
| 20" | 66 LBS |
| 24" | 81 LBS |
| 30" | 91 LBS |
| 36" | 121 LBS |
| 48" | 143 LBS |
| 60" | 178 LBS |

Sink Top Options

| | Vanities | Ceramic basin | Artificial stone basin |
|------------|----------|-----------------------|-------------------------------|
| 20" | V8014-20 | C04 2020 | NONE |
| 24" | V8014-24 | C04 2418 | A10 2418 25 |
| 30" | V8014-30 | C04 3018 | A10 3018 25 |
| 36" | V8014-36 | C04 3618 | A10 3618 25 |
| 48" | V8014-48 | C04 4818 S/C04 4818 D | A10 4818 25 S / A10 4818 25 D |
| 60" | V8014-60 | NONE | A10 6022 25 |

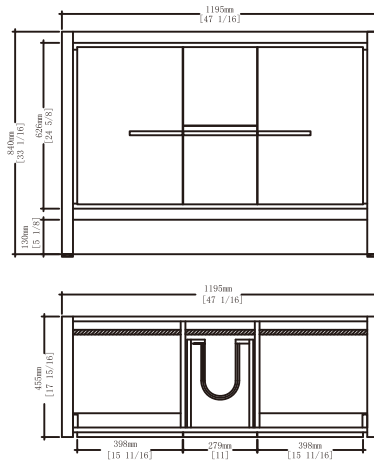
60"

60-1/16" X 21-3/4" X 33-1/16"



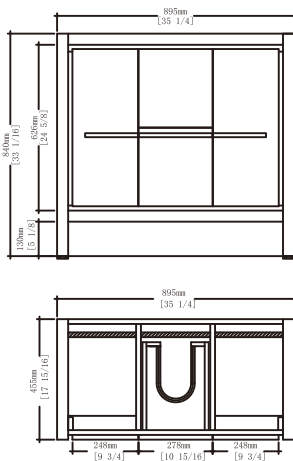
48"

47-1/16" X 17-15/16" X 33-1/16"



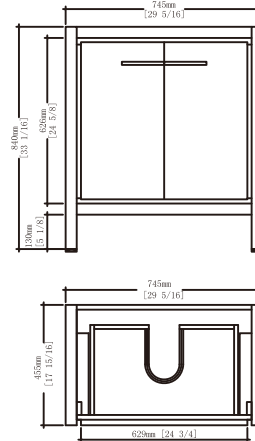
36"

35-1/4" X 17-15/16" X 33-1/16"



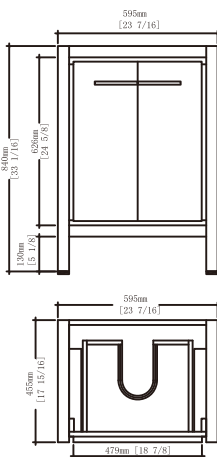
30"

29-5/16" X 17-15/16" X 33-1/16"



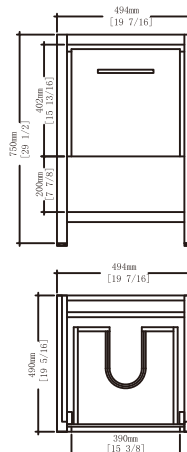
24"

23-7/16" X 17-15/16" X 33-1/16"



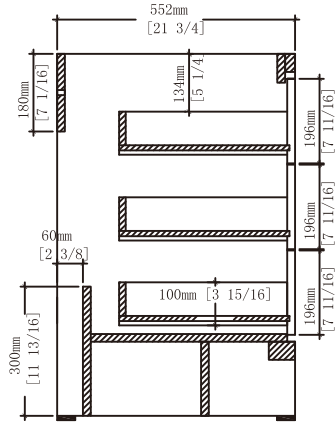
20"

19-7/16" X 19-5/16" X 29-1/2"



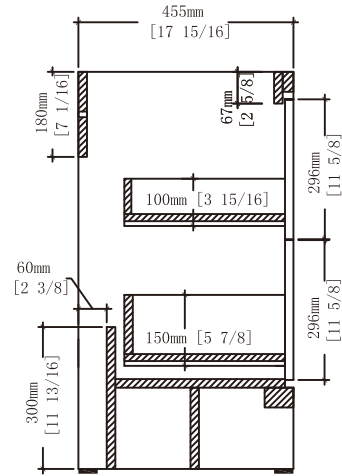
60"

60-1/16" X 21-3/4" X 33-1/16"



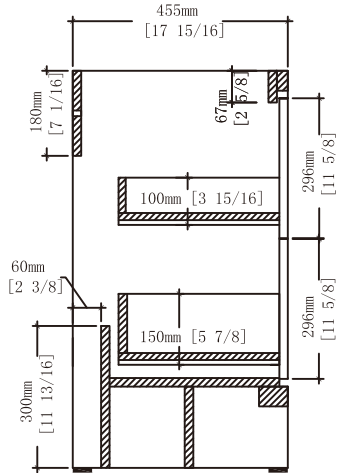
48"

47-1/16" X 17-15/16" X 33-1/16"



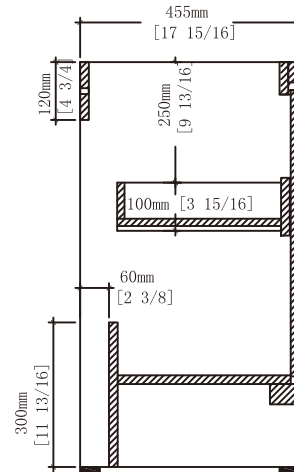
36"

35-1/4" X 17-15/16" X 33-1/16"



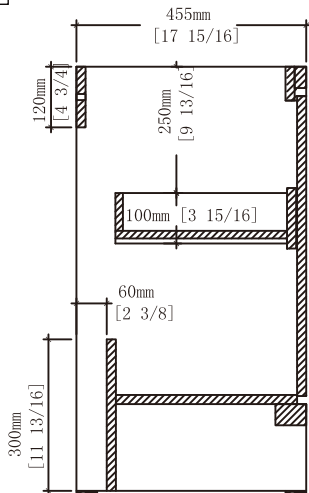
30"

29-5/16" X 17-15/16" X 33-1/16"



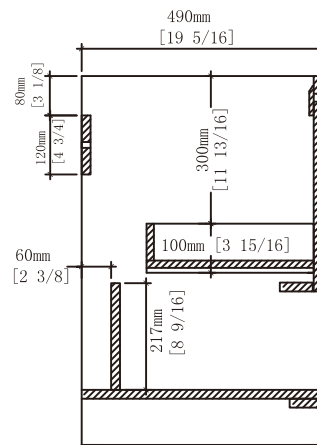
24"


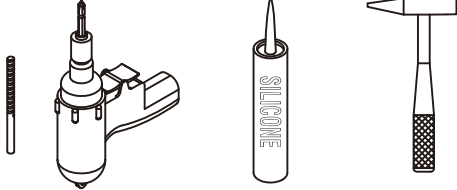

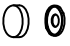
23-7/16" X 17-15/16" X 33-1/16"



20"

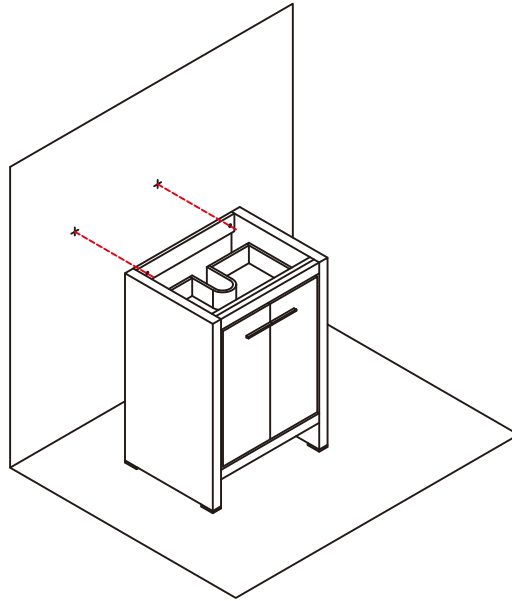
19-7/16" X 19-5/16" X 29-1/2"



| Hardware | | | | Tools (not includes) | |
|----------|-----------------------------|---|------|--|--|
| No. | | Draw | Qty | | |
| A | White rubber plug (Ø6mm) |  | 2pcs |  | |
| B | Screws (Ø4 x 68mm) |  | 2pcs | | |
| C | Stainless steel cover |  | 2pcs | | |

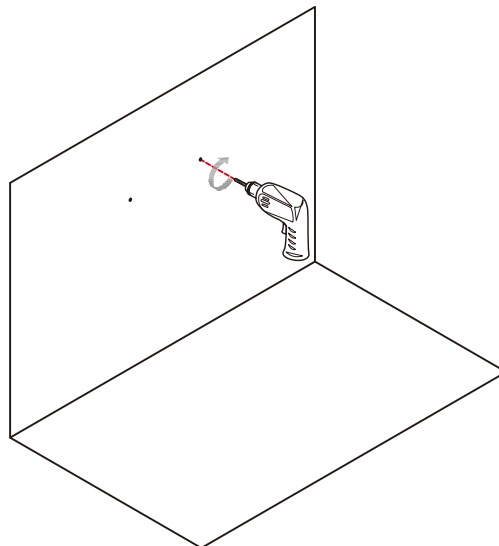
STEP 1

Mark the pre-drilled holes with a pencil or marker after positioning the vanity.



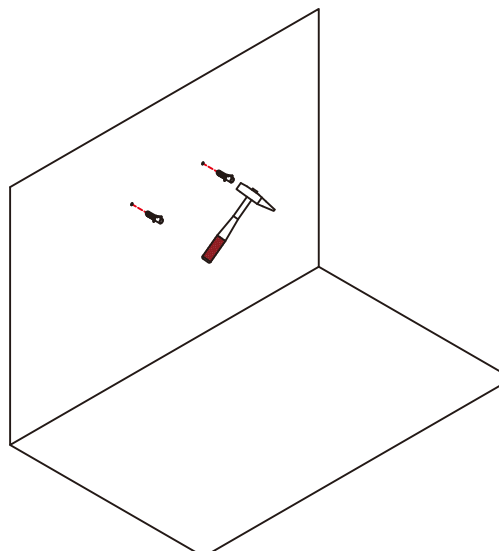
STEP 2

Drill the holes with suitable drill-bits base on different condition of the wall.



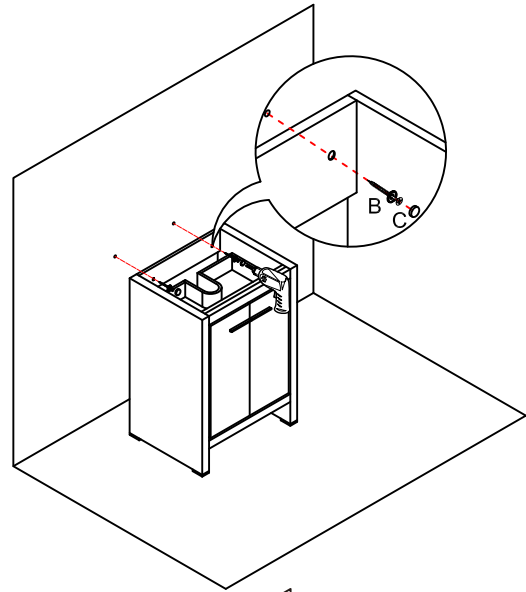
STEP 3

Hammer in the expansion plug.



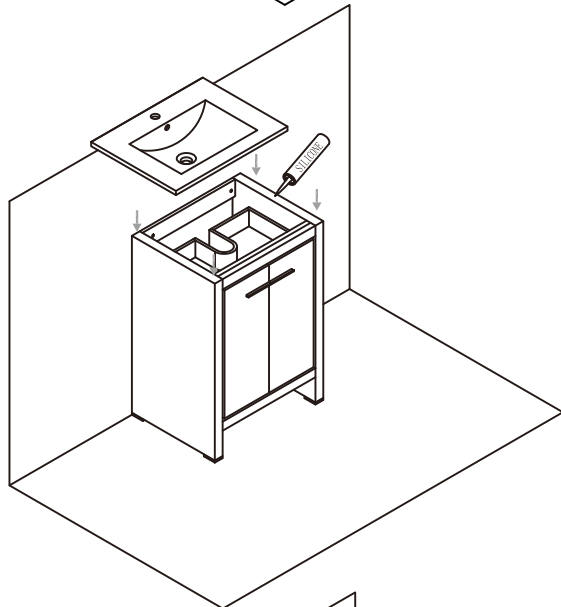
STEP 4

Secure the vanity onto the wall with screws.



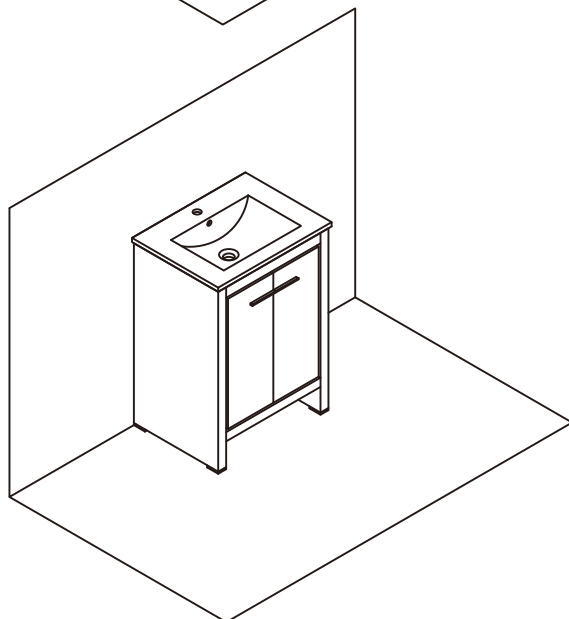
STEP 5

Install the basin with silicone.



STEP 6

Installation complete.





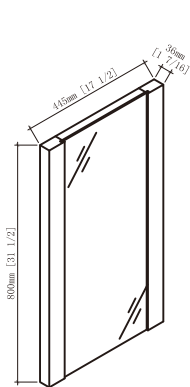
Blossom Kitchen & Bath Supply Corporation
(718)-366-0088 | sales@BlossomUS.com | www.BlossomUS.com

For clarification, please contact us at (718)-366-0088 or sales@BlossomUS.com
All dimensions are approximate and subject to standard tolerance. Specifications subject to change without prior notice.

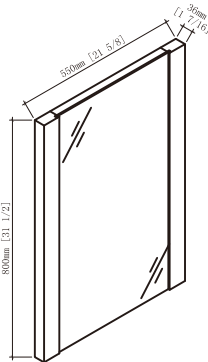


BLOSSOM®

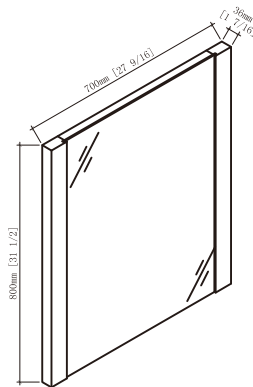
l u x u r y m a d e s i m p l e



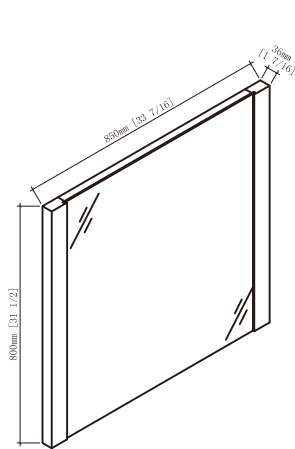
M6014-20



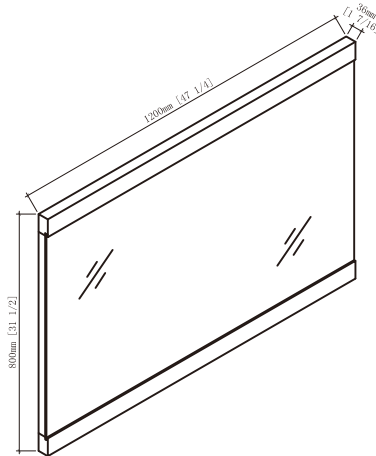
M6014-24



M6014-30



M6014-36



M6014-48

[MILAN]
Series Mirror

Specifcation & Installation Guide

Features

- Modern design with high glossy paint or silver grey melamine finishes.
- Easy installation.

Package Dimension

- 20"** 20-1/2" x 4-9/64" x 34-29/64"
24" 24-39/64" x 4-9/64" x 34-29/64"
30" 30-33/64" x 4-9/64" x 34-29/64"
36" 36-7/16" x 4-9/64" x 34-29/64"
48" 50-13/64" x 4-9/64" x 34-29/64"

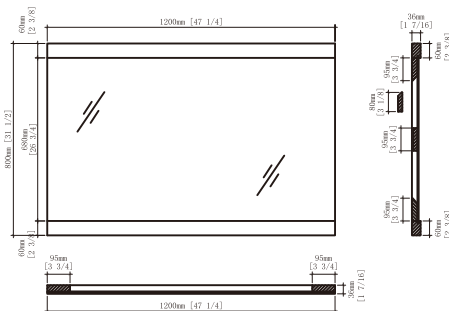
Colors / Finishes

- Glossy White - 01
 Sliver Grey - 16

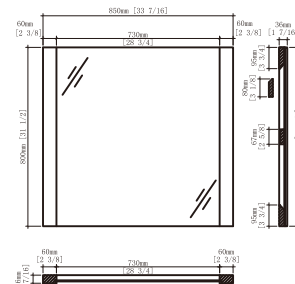
Gross Weight

- 20"** 21 LBS
24" 21 LBS
30" 25 LBS
36" 26 LBS
48" 46 LBS

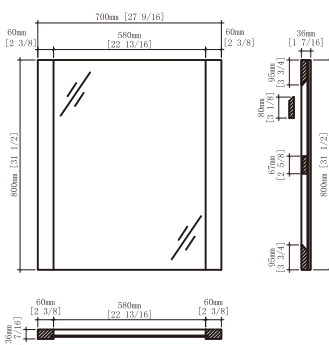
48" 47-1/4" X 1-7/16" X 31-1/2"



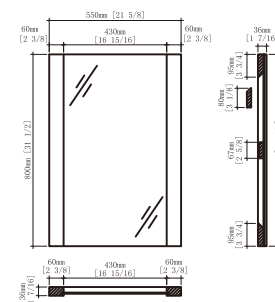
36" 33-7/16" X 1-7/16" X 31-1/2"



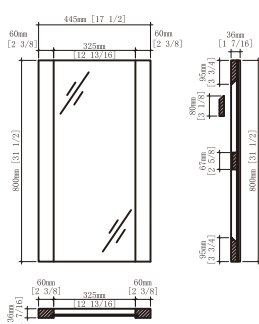
30" 27-9/16" X 1-7/16" X 31-1/2"

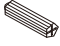
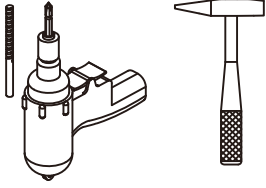



24" 21-5/8" X 1-7/16" X 31-1/2"



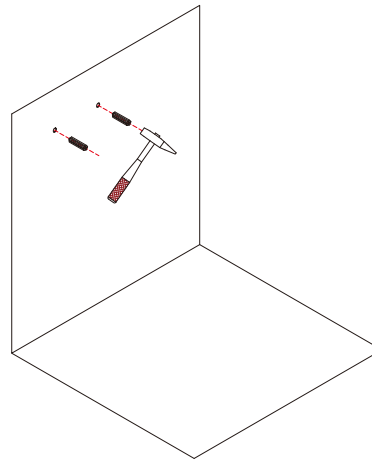
20" 17-1/2" X 1-7/16" X 31-1/2"



| Hardware | | | | Tools (not includes) | |
|----------|-------------------|---|------|--|--|
| No. | | Draw | Qty | | |
| A | Green rubber plug |  | 4pcs |  | |
| B | Screw |  | 4pcs | | |

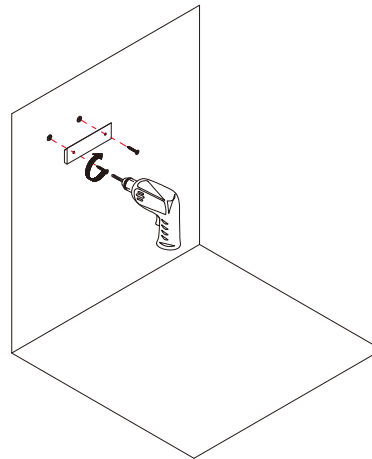
STEP 1

1. Measure the wall-hung board and mark down the holes on the wall.
2. Drill the holes with suitable drill-bits base on different condition of the wall.
3. Use a hammer to knock the green expansion rubber plug into the hole.



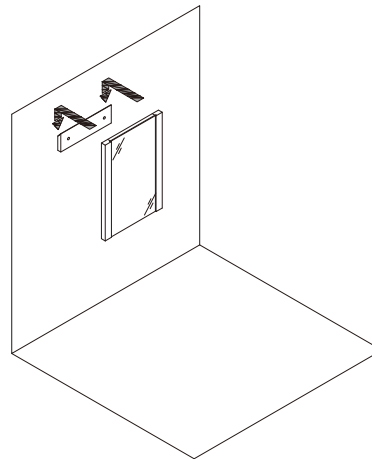
STEP 2

Screw the 45 degree wall-hung panel onto the wall.



STEP 3

1. Put up the back top panel of mirror on the 45 degree wall-hung panel .
2. Installation completed.
3. Carefully slide the mirror left or right to center with the vanity.



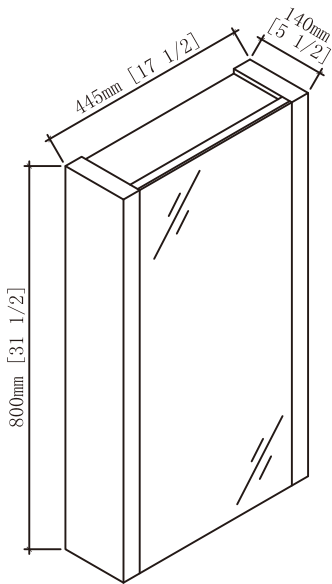


Blossom Kitchen & Bath Supply Corporation
(718)-366-0088 | sales@BlossomUS.com | www.BlossomUS.com

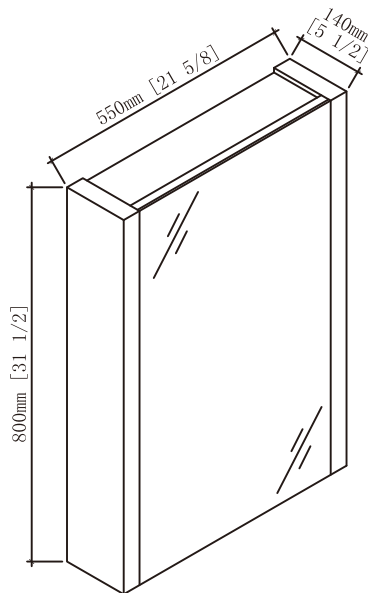
For clarification, please contact us at (718)-366-0088 or sales@BlossomUS.com
All dimensions are approximate and subject to standard tolerance. Specifications subject to change without prior notice.



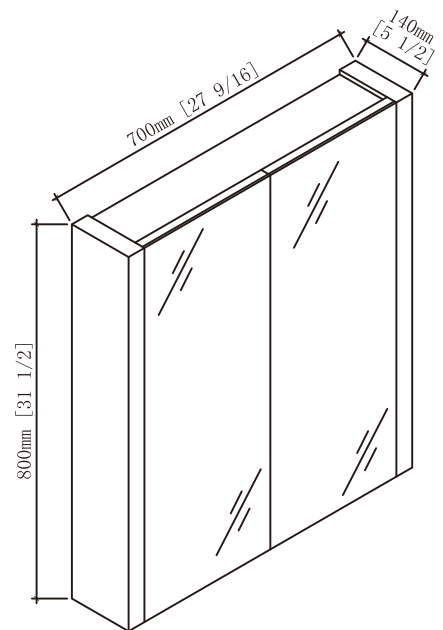
BLOSSOM[®]
luxury made simple



MC7014-20



MC7014-24



MC7014-30

[**MILAN**]
Series Medicine Cabinets

Specification & Installation Guide

Features

- Modern design with high glossy paint or silver grey melamine finishes.
- Soft-closing doors.
- Easy installation.
- Adjustable shelves.

Package Dimension

- 20"** 20 1/2" x 8 15/32" x 34 29/64"
24" 24 39/64" x 8 15/32" x 34 29/64"
30" 30 33/64" x 8 15/32" x 34 29/64"

Colors / Finishes

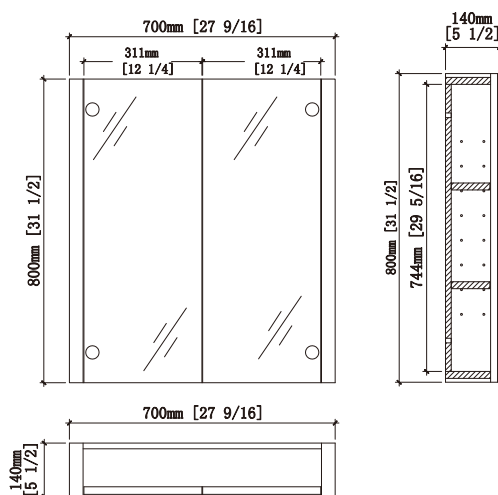
Glossy White - 01

Sliver Grey - 16

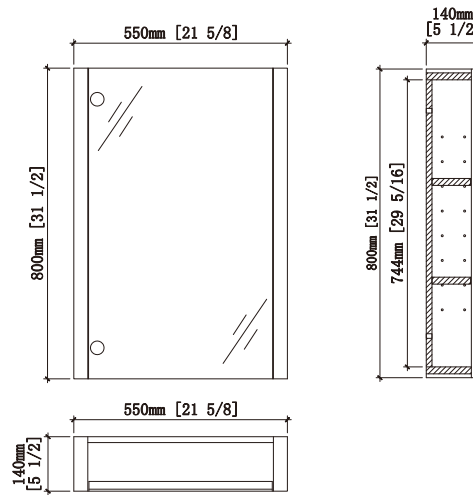
Gross Weight

- 20"** 45 LBS
24" 49 LBS
30" 57 LBS

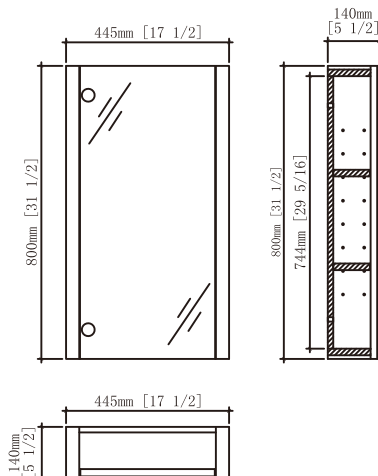
30" 27-9/16 X 5-1/2" X 31-1/2 "



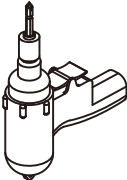

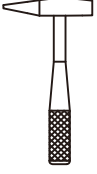




24" 21-5/8" X 5-1/2" X 31-1/2 "



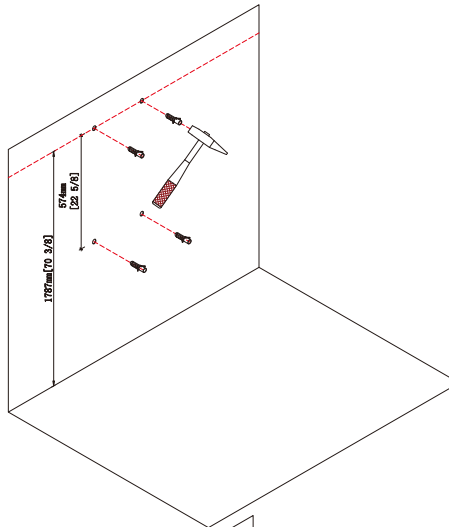
20" 17-1/2 X 5-1/2" X 31-1/2 "



| Hardware | | | | Tools (not includes) | | | |
|----------|-----------------------------|---|------|--|--|--|--|
| No. | | Draw | Qty | | | | |
| A | White rubber plug (Ø6mm) |  | 4pcs |     | | | |
| B | Screws (Ø4 x 68mm) |  | 4pcs | | | | |
| C | Stainless steel cover |  | 4pcs | | | | |

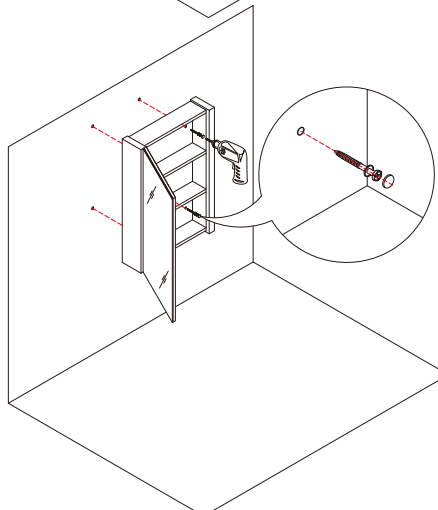
STEP 1

1. Drill the holes with suitable drill-bits base on different condition of the wall.
2. Use a hammer to knock the white expansion rubber plug into the hole.



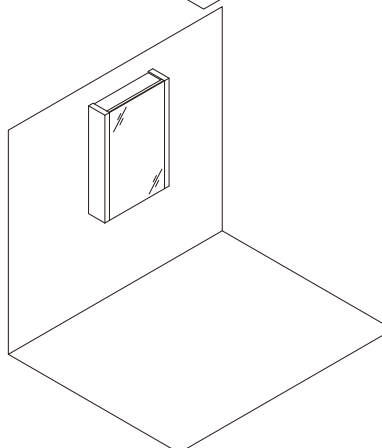
STEP 2

Align the holes in the wall and lock the mirror cabinet to the wall with screws.



STEP 3

Finish





Blossom Kitchen & Bath Supply Corporation
(718)-366-0088 | sales@BlossomUS.com | www.BlossomUS.com

For clarification, please contact us at (718)-366-0088 or sales@BlossomUS.com
All dimensions are approximate and subject to standard tolerance. Specifications subject to change without prior notice.